

THE 1ST MANUFACTURER IN SOUTHERN CHINA
TO OBTAIN THE A1 LEVEL ELEVATOR MANUFACTURING QUALIFICATION



HIGHER AND FASTER

MATIZ ELEVATOR CO., LTD.

MATIZ Industrial Park, MCMP, Nanlang, Zhongshan, Guangdong, China.

Website: matizglobal.com; matiz-elevator.com.vn

Văn phòng và showroom: U04 - L52, KĐT Đô Nghĩa, Yên Nghĩa, Hà Đông, Hà Nội

Email: info@matiz-elevator.com.vn

Phone: 02439995599

Hotline: 0986925222



MATIZ WECHAT ACCOUNT



MATIZ TIKTOK ACCOUNT

This publication is for general information and we reserve the rights to change the product design and specifications at any time. Any statement in this brochure, no matter in its literal meanings or essence, bears no responsibility to any products and their functions and quality, nor any statement or changes in the sales contract. The product effects in this book are for reference only, subject to the actual product.

Version 202306

MATIZ

VILLA ELEVATOR



AESTHETIC SPACE
FULL OF DETAILS



AESTHETIC DESIGN
QUALITY LIFE



USER-FRIENDLY DESIGN

MATIZ Villa lift is very user-friendly with many humanized designs, it can improve your life experience with ease.



UNIQUE DESIGN

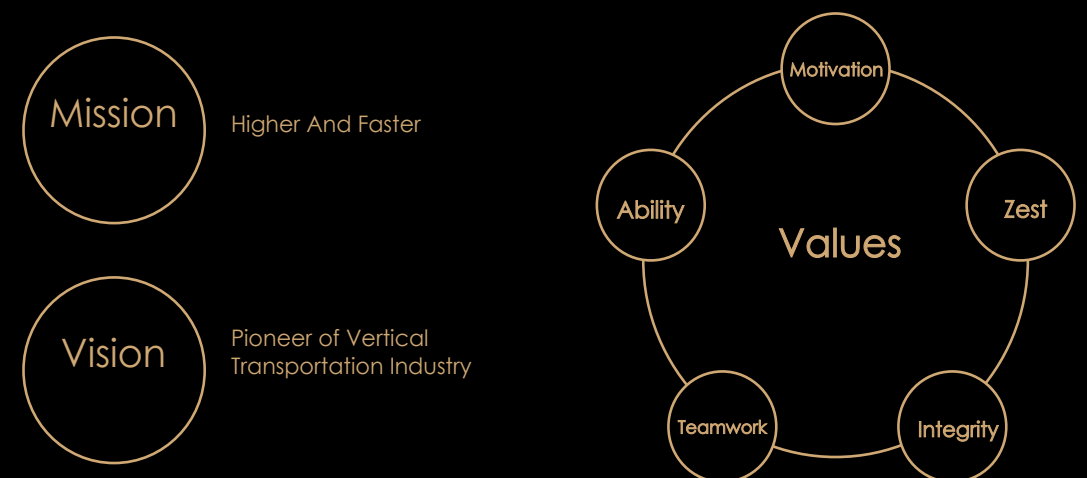
Every MATIZ Villa is unique. It offers customization for the clients all over the world.

Two Manufacturing Bases

Manufacturing Base in Eastern China



Manufacturing Base in Southern China



Company Profile

Matiz, which has a fast developing in recent years, is one of the few comprehensive new brands in the vertical transportation industry. With supreme quality, excellent design and high cost-effective performance, Matiz products have been exported to more than 60 countries and regions around the world, covering from Asia, Europe, America, Africa and Oceania these five continents. It has been cooperating with many well-known enterprises, such as Country Garde, CFLD, Gemdale, AGILE, Poly Group, CCCEREG, Aoyuan Group Limited, China State Construction, China Resources, Yuexiu Property, CSC LAND, COFCO properties, Fullsun Group, Greenland Group and many other global Top 500 companies.

Full Management System

Quality Management System Certification

Occupational Health and Safety Management System Certification

Environmental Management System Certification

SA8000 Social Responsibility Management System Certification

Five-Star After-sales Service Management System Certification

AAAA Standardized Good Behavior Enterprise

Intellectual Property Management System Certification



Technical Strength

MATIZ technical team, leading by top technical masters, is composed of dozens of senior engineers and construction engineers as the technical backbone, and hundreds of experienced front-line technicians. This is a team with rich practical experience and good management. By May, 2023, Matiz has won a lot of invention patent, design patent and utility model patent.

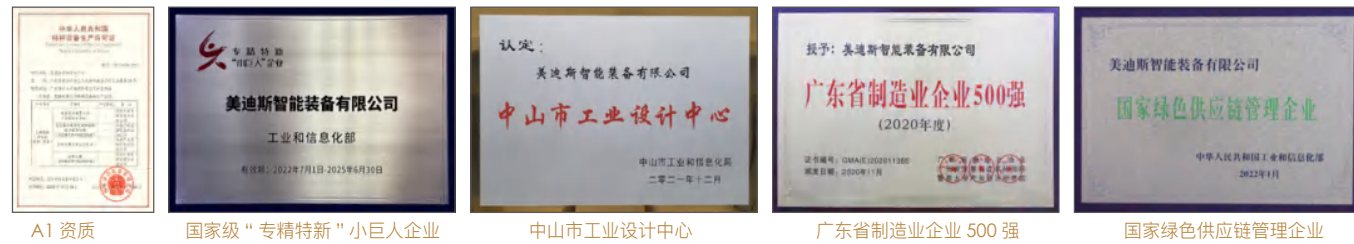
Software Copyright Certificate



Invention Patent



Enterprise Awards



A1 资质 国家级“专精特新”小巨人企业 中山市工业设计中心 广东省制造业企业 500 强 国家绿色供应链管理企业



AAA 级企业信用等级 高新技术企业 全国质量诚信标杆企业 工程技术研究中心



全国质量信用优秀企业 全国质量检验先进企业 用户优选成长价值品牌 中国绿色节能环保品牌 广东省高成长中小企业

Design Patent/Utility Model Patent





MATIZ Villa Lift Won
GHDA Global Habitat Design Award

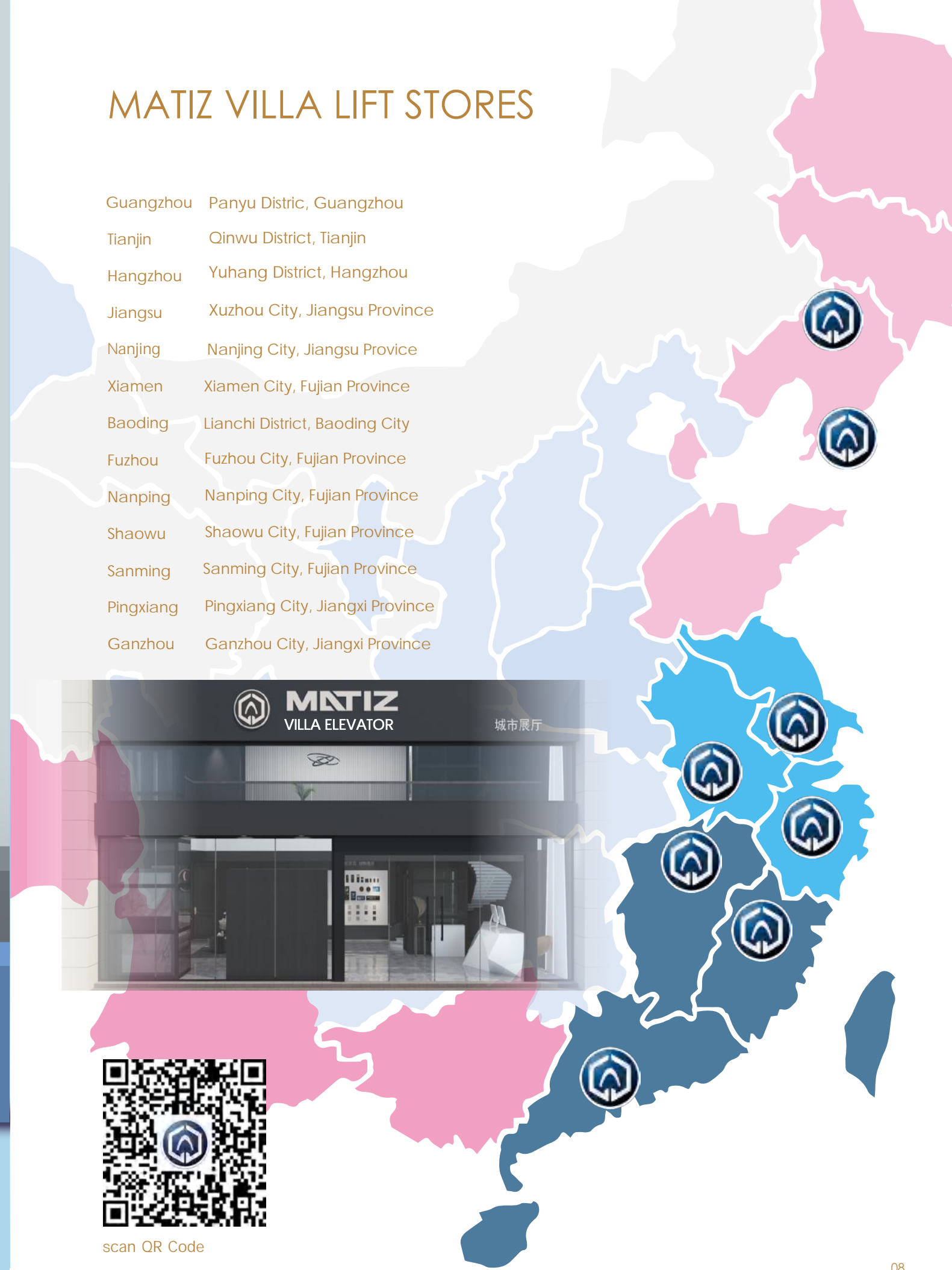


MATIZ VILLA LIFT STORES

- Guangzhou Panyu Distric, Guangzhou
- Tianjin Qinwu District, Tianjin
- Hangzhou Yuhang District, Hangzhou
- Jiangsu Xuzhou City, Jiangsu Province
- Nanjing Nanjing City, Jiangsu Provice
- Xiamen Xiamen City, Fujian Province
- Baoding Lianchi District, Baoding City
- Fuzhou Fuzhou City, Fujian Province
- Nanping Nanping City, Fujian Province
- Shaowu Shaowu City, Fujian Province
- Sanming Sanming City, Fujian Province
- Pingxiang Pingxiang City, Jiangxi Province
- Ganzhou Ganzhou City, Jiangxi Province

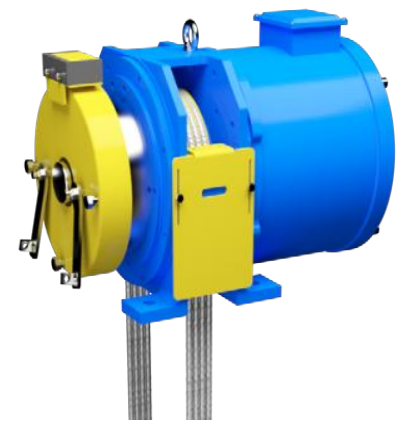


scan QR Code

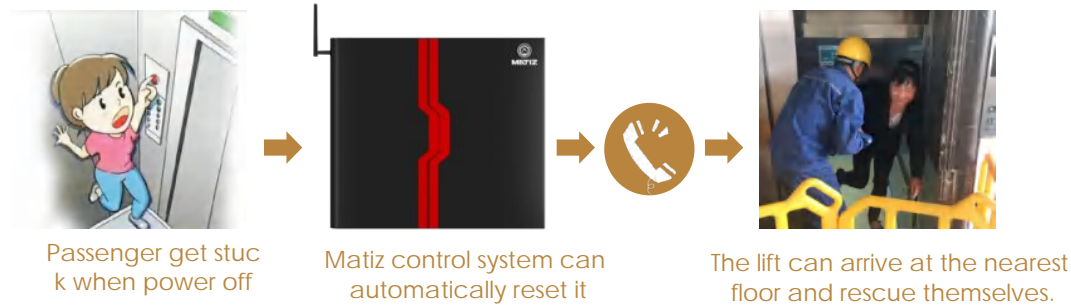


Safe Braking Technology

The traction machine uses multi-disc brake discs to prevent one of them from failing, and the elevator can brake normally. At the same time, it has braking force detection to ensure that the elevator brake will not have failure.

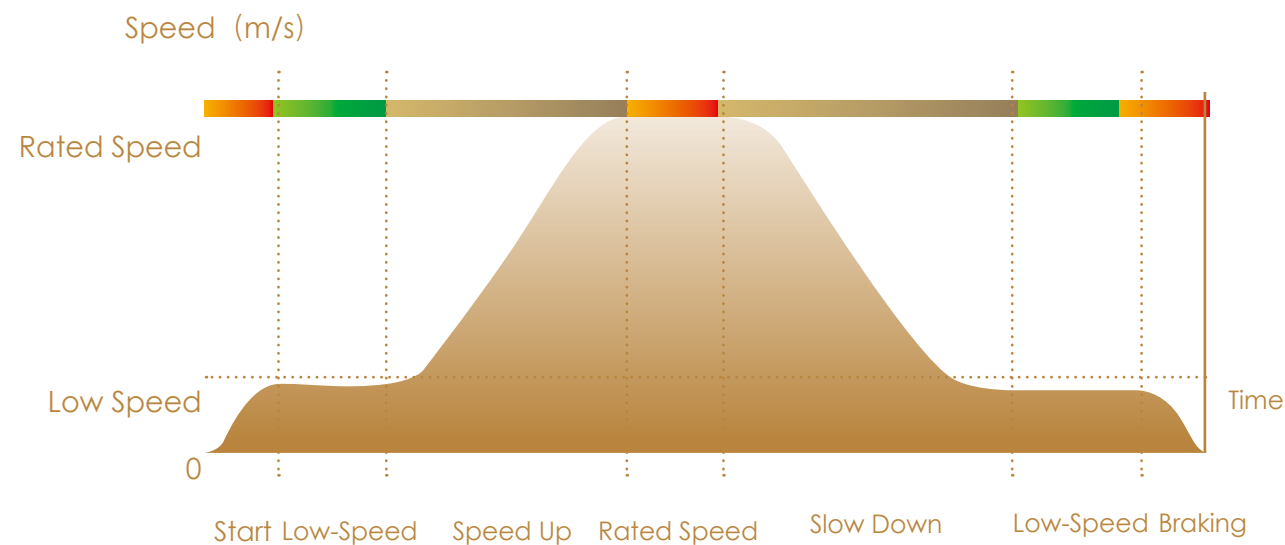


Automatic Rescue Technology



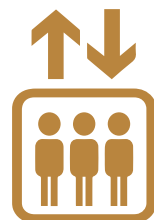
Perfect Mute

MATIZ Villa Lift adopts a series of innovative sound insulation and noise reduction technologies to minimize the noise caused by the elevator, without affecting the family.

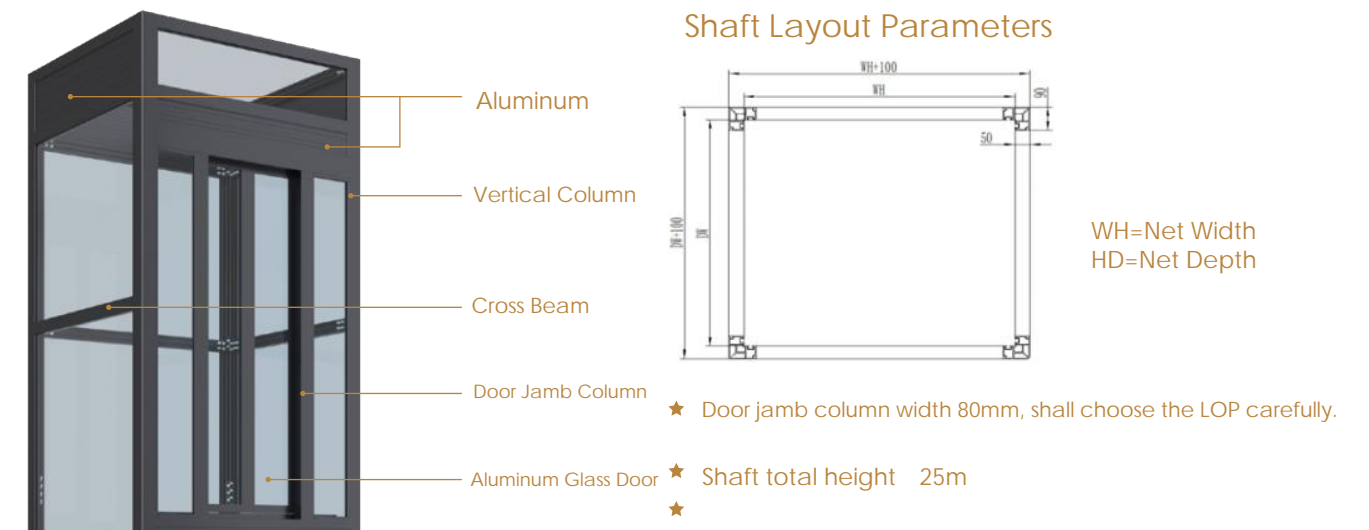


Smooth and Comfortable

MATIZ Villa Elevator has a gentle running system specially designed for the elder, with the most comfortable speed running curve and smooth start and stop, which is more suitable for the elders at home.



Aluminum Alloy Shaft



Shaft Structure

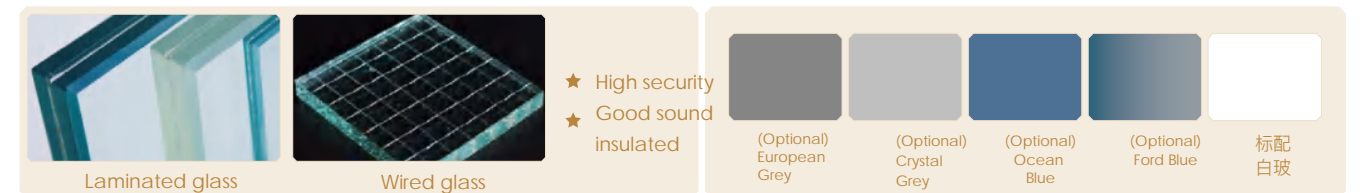


Connection parts



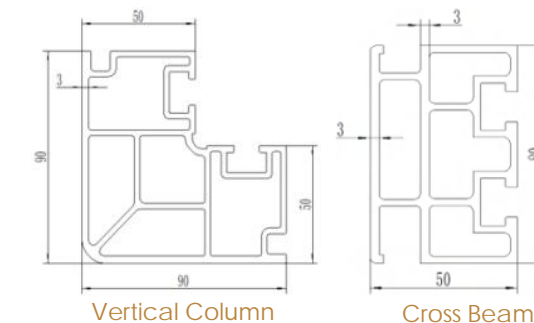
- ★ Using hexagonal connection bolts, the glass can add
- ★ support points between the inner or outer beams of the hoistway to prevent the glass from settling and affecting the operation of the elevator

Glass specification (glass thickness 4+0.76+4mm)



Aluminum Profile specification

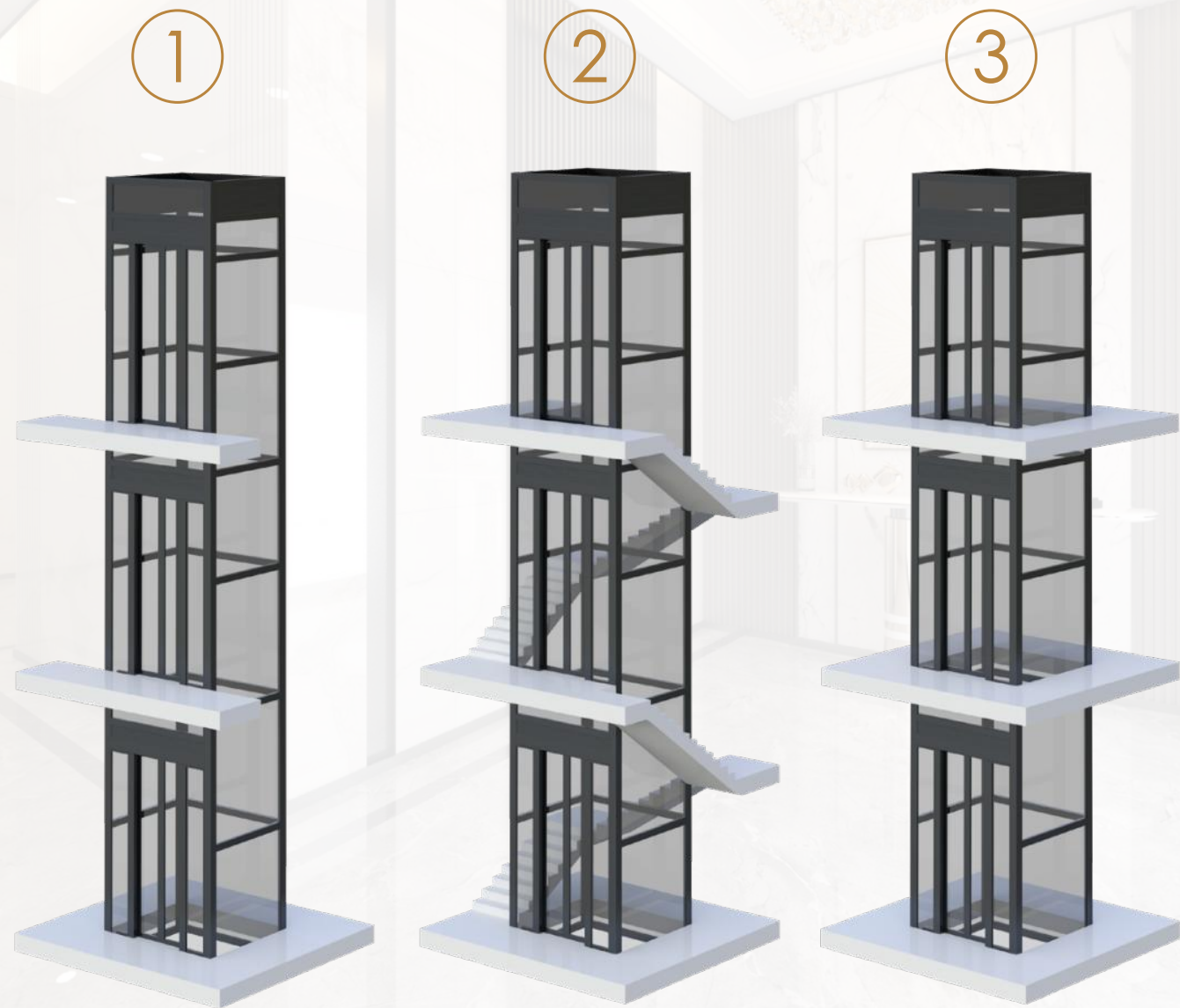
Section View



Name	Shape Size	Exterior Decoration Size
LV90 Vertical Column	90x90x50	118
LV90 Cross Beam	80x50	80
LV90 DoorJamb Vertical Column	55x50	55
LV90 DoorJamb	80x80	80

MATIZ VILLA LIFT SOLUTION

MATIZ Villa Elevator is suitable for various villa installation situations and shaft sizes. You can choose a suitable installation location according to your needs.



1
No suitable space in the building
If permitted, install an elevator outside the shaft.

2
Suitable space in the middle of the staircase
Install the elevator in the middle of the shaft

3
In the Hall or room
Install the elevator in hall or room

FUNCTION LIST

01 Emergency Functions

Shaft Auto-tuning	Auto correction of stair position Signal	Repeatedly close the door
Collective selective control operation	3 way intercom	Failure record
Failure auto-diagnosis	ARD	Parking
voltage fluctuation detection	Position and floor memory after blackout	Non-stop floor settin
Door reopen signal	Cancel internal call when reverse	Input port interference assessment
After inspection the lift not at door area, auto reach at leveling floor	Auto door opening at leveling floor	Elevator running time protection function

02 Operation and Service Function

Auto open the door at the station	Car location and elevator status display	Floor selection manually
No direction/same direction hall call	Flexible floor setting	Car ventilation
Door opening button	Home floor auto-return	Characters display on floor (customized)
Door close button preclose the door	Landing floor location& lift status display	Security monitoring system
Auto power saving function	Door open/close button(auto door)	

03 Control and Safety Functions

Inspection running	Terminal speed change and floor number correction	Contactors feedback Inspection
Closing time protection	Fault low-speed self-rescue function	Full load direct driving
Safety light curtain protection	Safety Circuit Protection	Door not closing when overload and warning
Emergency electric operation of the car roof and control cabinet	Limit protection	Main contactor and brake contactor protection
Speed feedback Inspection	Upper and lower limit protection device	Blackout lighting and alarm bell
Pit buffer device	brake detection and protection	Closed door obstructed protection
Doors cannot open out of door area	Drive device overheat protection	Car top manual operation priority
Electric brake	Steel rope over-groove protection	Door lock short circuit protection
Top torque output	Reverse running protection	

VILLA LIFT SERIES

VG300



Standard Configuration

Standard

- ARD
- Electric Brake
- 3 way intercom
- IOT

Optional

- Door Hold

Structure Advantages

	Counterweight Position	Pit Depth	Overhead Height	Cabin Gross Height	Max speed (m/s)
Motor 1	Side Counterweight	500	2900	2280	1
Motor 2	Side Counterweight	150	3300	2280	0.4
	Rear Counterweight	350	3500	2280	1

Basic Parameters

Side counterweight parameters

	Capacity (kg)	320		400		
	Door Type	Center Opening	Side Opening	Center Opening	Side Opening	
主参数	Rated Speed (m/s)	0.4m/s、选配 1.0m/s				
	Door Width (mm)	600	700	700	800	
	Door Height (mm)	2100	2100	2100	2100	
	Car Size (mm)	Width	900	900	1000	1000
		Depth	1000	1000	1100	1100
		Height	2280	2280	2280	2280
	Shaft Size (mm)	Width	1450	1450	1550	1550
		Depth	1250	1350	1350	1450
	Overhead Height (mm)	2900	2900	2900	2900	2900
	Pit Depth (mm)	350/500	350/500	350/500	350/500	350/500

Optional 1.0m/s , Shaft width needs to increase 50mm.

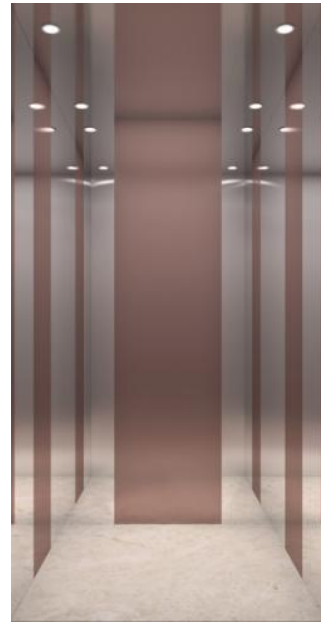
Cabin Series



VE05-1 (Standard)
 Ceiling: Mirror Stainless Steel
 Car Wall : 304 Mirror Sandblasted champagne gold, 304 mirror stainless steel
 Front Panel : 304 Hairline Stainless steel
 Floor : PVC



VE05-2 (Standard)
 Ceiling: Mirror Stainless Steel
 Car Wall : 304 Mirror Sandblasted Steel, 304 mirror stainless steel
 Front Panel : 304 Hairline Stainless steel
 Floor : PVC



VE05-3 (Standard)
 Ceiling: Mirror Stainless Steel
 Car Wall : 304 Mirror Sandblasted rose gold, 304 mirror stainless steel
 Front Panel : 304 Hairline Stainless steel
 Floor : PVC

Cabin Series



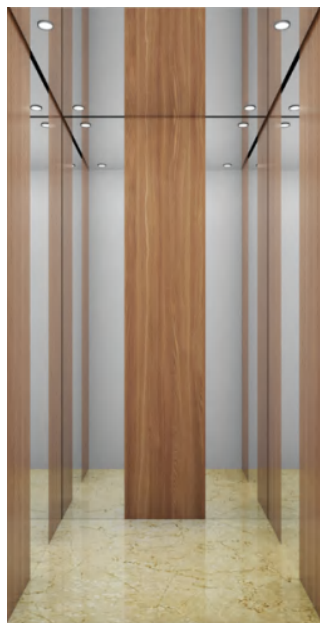
VE16 (Optional)
 Ceiling: Mirror stainless steel +Ambient Light
 Car Wall: 304 Mirror sandblasted rose gold
 Floor: PVC



VE17 (Optional)
 Ceiling: Mirror stainless steel +Ambient Light
 Car Wall: 304 Mirror sandblasted bronze
 Floor: PVC



VE18 (Optional)
 Ceiling: Mirror stainless steel +Ambient Light
 Car Wall: 304 Mirror sandblasted champagne gold
 Floor: PVC



VE05 (Standard)
 Ceiling: Mirror Stainless Steel
 Car Wall: Mirror stainless steel, Wooden Laminate
 Front Panel : 304 Hairline Stainless steel
 Floor : PVC



VE46 (Standard)
 Ceiling: Mirror Sandblasted Stainless Steel + LED light decoration
 Rear Wall: Mirror stainless steel, wooden laminate, LED light decoration
 Side Wall: Wooden laminate+decoration strip
 Front panel: Mirror Sandblasted Stainless Steel
 Floor: Sintered Stone



VE47 (Standard)
 Ceiling: Mirror Sandblasted Stainless Steel + LED light decoration
 Rear Wall: Mirror stainless steel, wooden laminate, LED light decoration
 Side Wall: Wooden laminate+decoration strip
 Front panel: Mirror Sandblasted Stainless Steel
 Floor: Sintered Stone



VE04 (Optional)
 Ceiling: Mirror Stainless Steel+Acrylic plate
 Car Wall: Mirror stainless steel, Wooden Laminate
 Front Panel : Mirror Stainless steel
 Floor : PVC



VZ5 (Optional)
 Ceiling: Mirror Stainless Steel+Acrylic plate
 Car Wall: Bronze hairline stainless steel, Sintered Stone
 Front Panel : Mirror Stainless steel
 Floor : Marble



VZ3 (Optional)
 Ceiling: Mirror Stainless Steel, PVD gold sandblasted stainless steel + lamp
 Car Wall: Champagne gold mirror stainless steel, rose gold stainless steel
 Front Panel : Mirror Stainless steel
 Floor : Marble

Panoramic Series



VE31 (Optional)

Ceiling: Starry ceiling
Car Wall: Tempered laminated glass with aluminum frame
Front Panel : painted steel
Floor : 12mm Sintered Stone



VE32 (Optional)

Ceiling: Starry ceiling
Car Wall: Tempered laminated glass with aluminum frame
Front Panel : painted steel
Floor : 12mm Sintered Stone



VE33 (Optional)

Ceiling: Starry ceiling
Car Wall: Tempered laminated glass with aluminum frame
Front Panel : painted steel
Floor : 12mm Sintered Stone



KG01

Cover: Hairline Stainless Steel
Ceiling: Stainless Steel+Acrylic Plate
Car wall: Tempered laminated glass + Hairline Stainless Steel frame
Floor : PVC



VE07

Cover: Champagne gold Hairline Stainless Steel
Ceiling: PVD gold Stainless Steel+Acrylic Plate
Car wall: Tempered laminated glass +Champagne gold stainless steel frame
Floor : PVC



VE08

Cover: PVD Black Hairline Stainless Steel
Ceiling: PVD Black Stainless Steel+Acrylic Plate
Car wall: Tempered laminated glass +PVD Black stainless steel frame
Floor : PVC

Ceiling Series



M-D-Y01 (standard)
Mirror Stainless Steel



M-D-Y02 (standard)
Mirror Stainless Steel



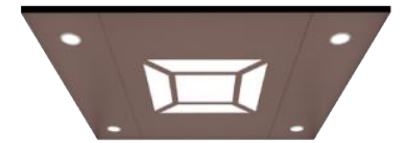
M-D-Y03 (standard)
Mirror Stainless Steel



Mirror sandblasted rose gold
(Optional)



Mirror sandblasted rose gold
(Optional)



Mirror sandblasted rose gold
(Optional)



M-D-V01
Mirror sandblasted rose gold
(Optional)



M-D-L01
Aluminum frame + acrylic plate
(Optional)



M-D-L02
Aluminum frame + acrylic plate+ downlight
(Optional)

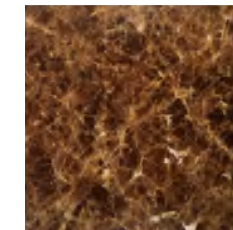
Floor Series



M-P-07
Standard PVC



M-P-08
Standard PVC



M-P-09
Standard PVC



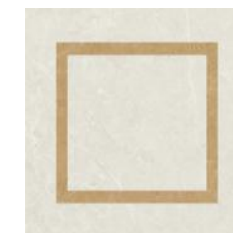
M-P-10
Standard PVC



Sintered Plate
Optional



Sintered Plate
Optional



PB-Z09
Optional Marble Floor



PB-Z10
Optional Marble Floor

Automatic Door Series



M-T-23 (Optional)
304 Mirror Sandblasted
champagne gold stainless steel



M-T-24 (Optional)
304 Mirror sandblasted
stainless steel



M-T-25 (Optional)
304 Mirror sandblasted
PVD Black stainless steel



M-T-26 (Optional)
304 Mirror Sandblasted
champagne gold stainless steel



M-T-20 (Optional)
304 Mirror stainless steel
+Tempered Laminated Glass



M-T-03 (Optional)
Mirror etching stainless steel



M-T-07 (Optional)
PVD Gold Mirror
etching stainless steel



M-T-09 (Optional)
PVD Gold Mirror
etching stainless steel

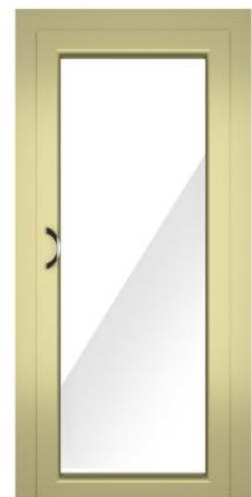
Swing Door Series



Standard: Black



Standard: Gray



Optional: Champagne Gold



Optional: Rose Gold

Operation Panel



Standard
MCOP01
Stainless Steel
Panel



Standard
MHOP05-Y

VE-H08 (Optional) 76*6.5 VE-H10 (Optional) 80*56*7
VE-H11 (Optional) 96*62*7 VE-H12 (Optional) 91*91*11

- ★ 1. Adopt HD resolution TFT
- ★ 2. 1.5MM tempered glass panel, durable
- ★ 3. VE-H10 adds children lock function to prevent children from operating the elevator and can use password to prevent strangers from entering the elevator. (VE-H08,VE-H10,VE-H12)
- ★ 4. Elevator can be locked by touching the screen
- ★ 5. Time setting function(VE-H12)



VE-C03 (Optional)
Mirror sandblasted rose gold stainless steel

- ★ three-mode to call the elevator by gesture
- ★ sense voice

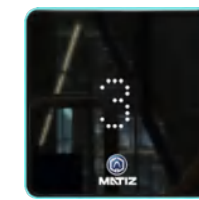
VE-H07 (Optional)
76*13



VE-H05 (Optional)
(220*87*13)



VE-H01 (Optional)
(118*43*15)



VE-H04 (Optional)
(76*76*13)

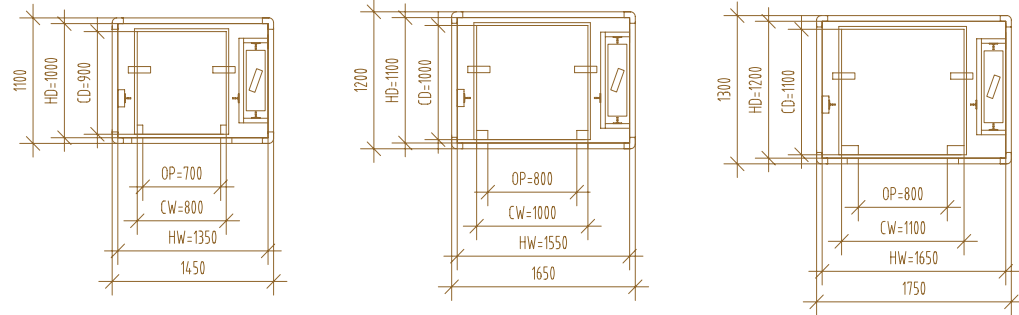


VE-H02 (选配)
φ76*13

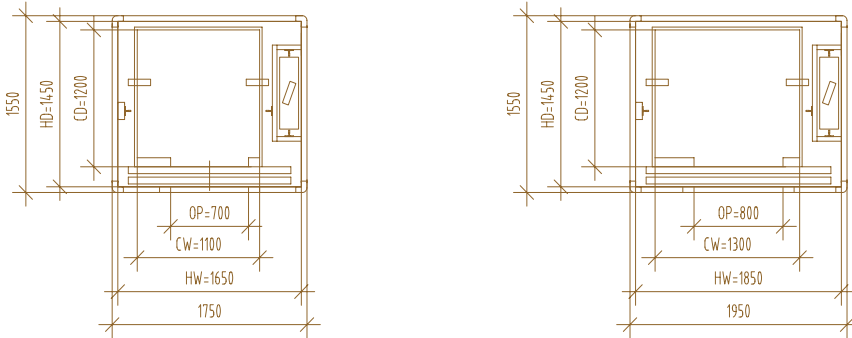
Except MHOP05-Y , other colors are available: PVD Gold, Rose gold, PVD Black

Traction Type Drawing (Aluminum Shaft)

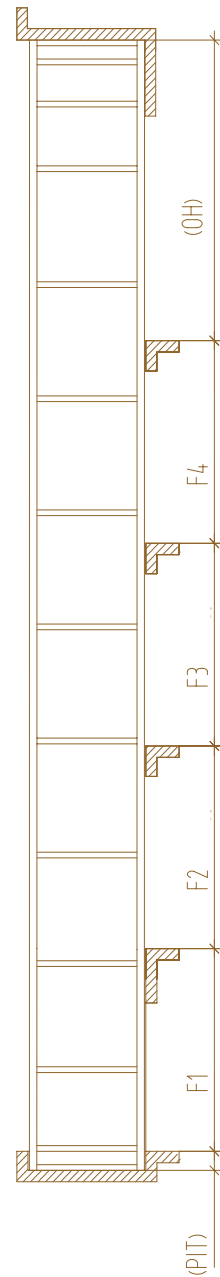
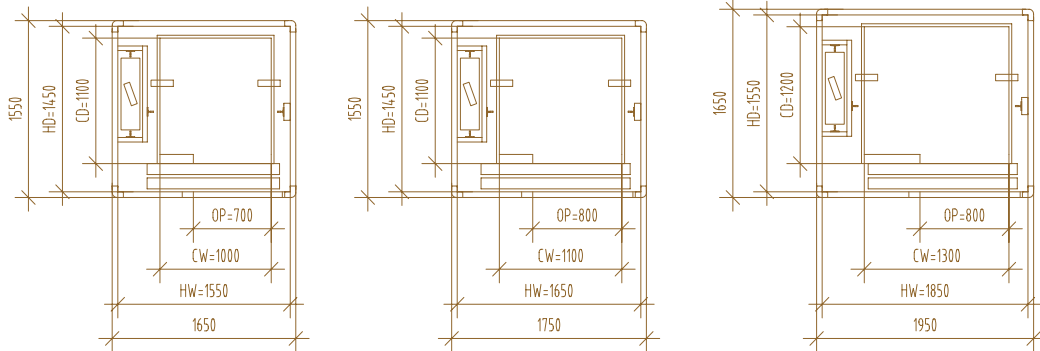
Automatic door(Open to front)



Center opening door

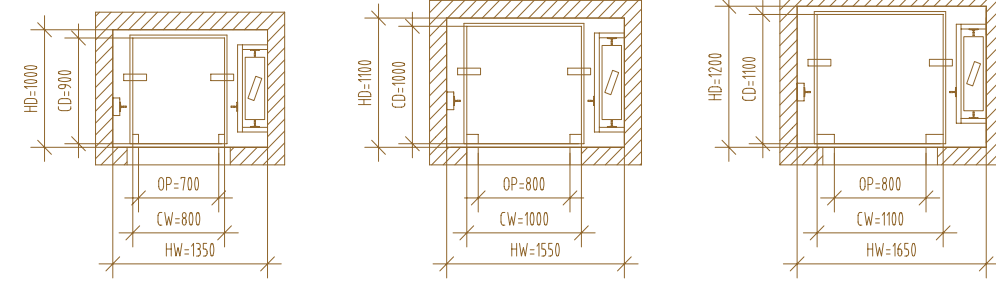


Side opening door

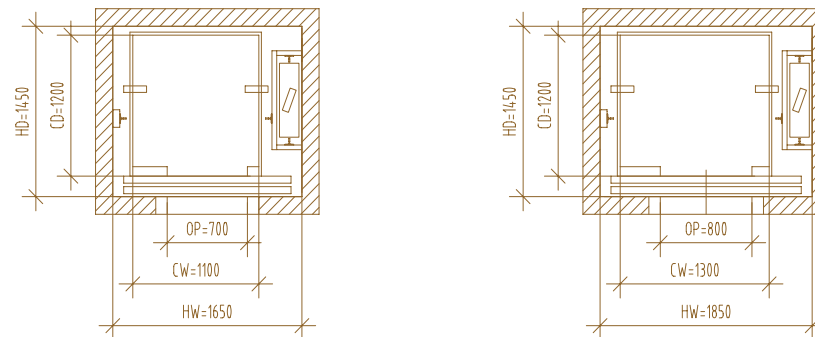


Traction Type Drawing (Concrete Shaft)

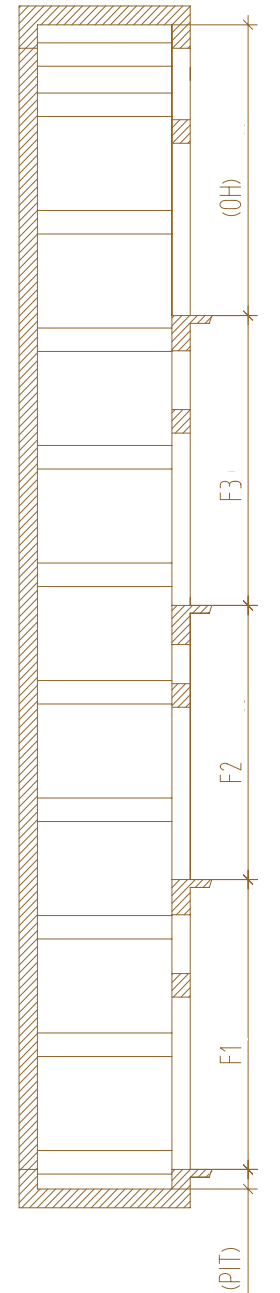
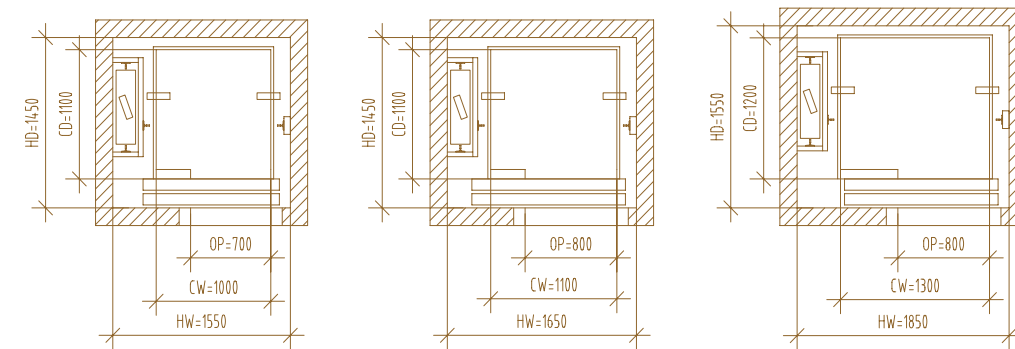
Automatic door(Open to front)



Center opening door



Side opening door



Traction Type Parameters(Aluminum Shaft)

Model	VG300							
Shaft Material	Aluminum Shaft							
Door Type	Swing Door			Center Opening Door		Side Opening Door		
Item NO.	1	2	3	4	5	6	7	8
Persons	3	3-4	4-5	4-5	5-6	3-4	4-5	5-6
Car Area (m ²)	0.5-0.7	0.7-0.9	0.9-1.2	0.9-1.2	1.2-1.6	0.7-0.9	0.9-1.2	1.2-1.6
Car Width (CW)	800	1000	1100	1100	1300	1000	1100	1300
Car Depth (CD)	900	1000	1100	1200	1200	1100	1100	1200
Car Height (CH)	2280							
Door Width (OP)	700	800	800	700	800	700	800	800
Door Height (OPH)	2000			2100		2100		
Overhead Height (OH)	2900							
Motor Position	At side							
Shaft Frame Width	1450	1650	1750	1750	1950	1650	1750	1950
Shaft Frame Depth	1100	1200	1300	1550	1550	1550	1550	1650
Net Shaft Width (HW)	1350	1550	1650	1650	1850	1550	1650	1850
Net Shaft Depth (HD)	1000	1100	1200	1450	1450	1450	1450	1550
PIT Depth	350							

Above size in mm

Traction Type Parameters(Concrete Shaft)

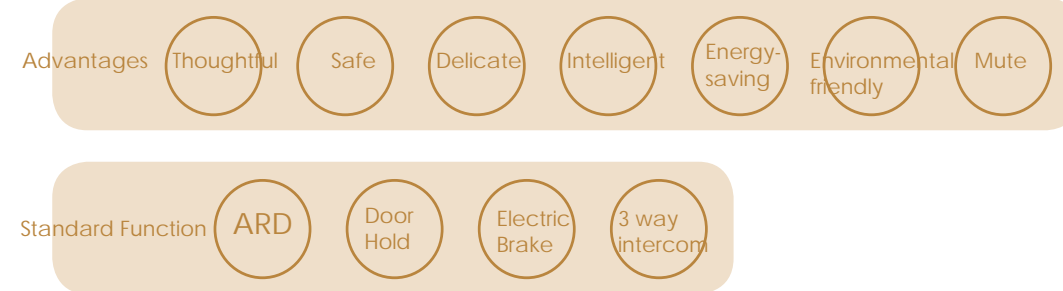
Model	VG300							
Shaft Material	Concrete Shaft							
Door Type	Swing Door			Center Opening Door		Side Opening Door		
Item NO.	1	2	3	4	5	6	7	8
Persons	3	3-4	4-5	4-5	5-6	3-4	4-5	5-6
Car Area (m ²)	0.5-0.7	0.7-0.9	0.9-1.2	0.9-1.2	1.2-1.6	0.7-0.9	0.9-1.2	1.2-1.6
Car Width (CW)	800	1000	1100	1100	1300	1000	1100	1300
Car Depth (CD)	900	1000	1100	1200	1200	1100	1100	1200
Car Height (CH)	2280							
Door Width (OP)	700	800	800	700	800	700	800	800
Door Height (OPH)	2000			2100		2100		
Overhead Height (OH)	2900							
Motor Position	At side							
Net Shaft Width (HW)	1350	1550	1650	1650	1850	1550	1650	1850
Net Shaft Depth (HD)	1000	1100	1200	1450	1450	1450	1450	1550
PIT Depth	350							

Above size in mm

VILLA LIFT SERIES VE200



Standard Configuration



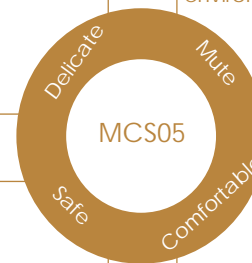
Control System



Ultra-thin design to hide the controller, nice looking for the house.

TUV certified control technology

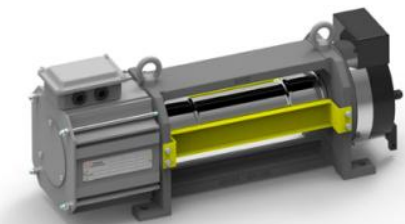
Running sound < 45dB, quiet living environment.



Industry SIL3 level safety certification

Excellent Home Elevator Riding experience

Traction Machine



- The optimized motor design, efficient capacity and the possibility of using a lighter car, greatly increase the overall efficiency.
- The wrapped steel belt is used to protect the steel wire from corrosion, and it does not need refueling when running, which is energy-saving and environmentally friendly.
- The permanent magnet synchronous motor adopts imported bearings and German HEIDENHAIN encoder.
- Simply supported beam structure, reasonable mechanical structure, beautiful space layout.
- Small traction sheave, guide pulley and counterweight pulley.
- Low overhead height and pit requirement
- Eco-Friendly & Low Maintenance cost. No need lubrication.

Belt Type Advantages

Traction Belt

N° 12 CORDS

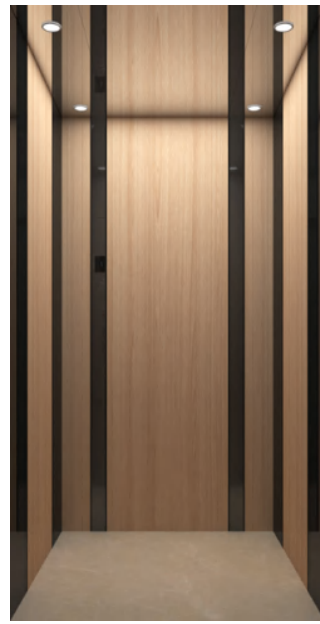
- ★ Cover Material: High Strength (Polyurethane)
- ★ Provides protection against rust
- ★ Maintenance without lubrication
- ★ Reduce friction noise when meshing and avoid direct friction of metal
- ★ Single bending life ≥ 10,000,000 times
- ★ Minimum breaking force 43000N
- ★ Adhesive strength ≥ 1000N
- ★

Cabin Series



KX03(Standard)

Ceiling: Hariline Stainless Steel+ Acrylic Plate
 Car wall: Mirror Etching stainless steel + Mirror stainless steel
 Front panel: Hariline Stainless Steel
 Floor: PVC



VE14 (Standard)

Ceiling: Integrated Mirror stainless steel
 Car wall: PVD Black Mirror stainless steel, wooden laminate, PVD black strip
 Front panel: Hariline Stainless Steel
 Floor: PVC



VE04 (Standard)

Ceiling: Mirror Stainless Steel+Acrylic Plate
 Car wall: Mirror stainless steel + Wooden laminate
 Front panel: Hariline Stainless Steel
 Floor: PVC



VE22(Standard)

Ceiling: Mirror Sandblasted stainless steel
 Car Wall: 304 Mirror Sandblasted stainless steel
 Front Panel: 304 Mirror Sandblasted stainless steel
 Floor: PVC



VE23 (Standard)

Ceiling: Mirror Sandblasted rose gold stainless steel
 Car Wall: 304 Mirror Sandblasted rose gold stainless steel
 Front Panel: 304 Mirror Sandblasted rose gold stainless steel
 Floor: PVC



VE24 (Standard)

Ceiling: Mirror Sandblasted champagne gold stainless steel
 Car Wall: 304 Mirror Sandblasted champagne gold stainless steel
 Front Panel: 304 Mirror Sandblasted champagne gold stainless steel
 Floor: PVC

Cabin Series



VE41 (Standard)

Ceiling : Aluminum plate+light
 Car Wall : Aluminum frame(Standard gray, black color, optional champagne gold, rose gold)+Sintered Stone
 Floor: Sintered stone



DF-021 standard

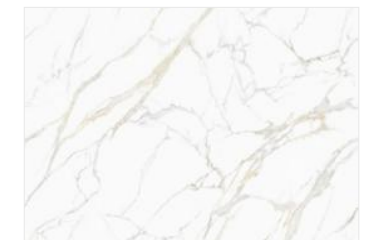
DF-023 standard

DF-040 standard



E42 (Optional)

Ceiling : Aluminum plate+light
 Car Wall : Aluminum frame(Standard gray, black color, optional champagne gold, rose gold) +Sintered Stone
 Floor: Sintered stone



Optional



Optional

Cabin Series



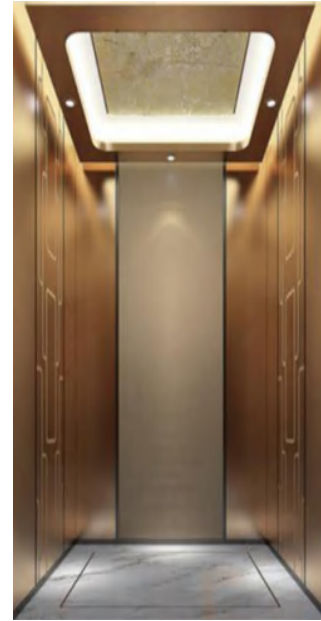
VE25 (Optional)

Ceiling: leather pattern film, stainless steel color-plated trim
 Hanging frame white and metal grain film stainless steel color-plated trim
 Rear wall: metal texture film, hard leather, stainless steel color-plated
 Side wall: Metal pattern film, hard leather
 Floor: Marble



VE12 (Optional)

Ceiling: Sandblasted stainless steel, acrylic transparent board
 Rear wall: Sandblasted stainless steel, PVD black trim + light
 Side wall: wood decorative panels, PVD black trim strips, sandblasted stainless steel with PVD black plate
 Floor: Marble



VE13 (Optional)

Ceiling: rose gold mirror stainless steel, rose gold hairline frame, middle gold leaf pattern
 Rear wall: leather trim, PVD black trim, sandblasted stainless steel with rose gold plate
 Side wall: Sandblasted stainless steel with rose gold plate, PVD black trim, sandblasted stainless steel with etched rose gold
 Floor: Marble

Cabin Series



VE10-1(Optional)

Ceiling: Aluminum frame + Light
 Car Wall: Gray frame, sintered stone + Tempered Laminated Glass
 Floor: Sintered Stone



VE10-2(Optional)

Ceiling: Aluminum frame + Light
 Car Wall: Black frame, sintered stone + Tempered Laminated Glass
 Floor: Sintered Stone



VE35 (Optional)

Car Wall: PVD Black Hairline stainless steel frame + Tempered Laminated Glass
 Ceiling: Starry Ceiling
 Floor: Sintered Stone



VE36 (Optional)

Car Wall: Rose Gold Hairline stainless steel frame + Tempered Laminated Glass
 Ceiling: Starry Ceiling
 Floor: Sintered Stone



VE37 (Optional)

Car Wall: Champagne Gold Hairline stainless steel frame + Tempered Laminated Glass
 Ceiling: Starry Ceiling
 Floor: Sintered Stone



VE10-3 (Optional)

Ceiling: Aluminum frame + Light
 Car Wall: Rose gold frame, sintered stone + Tempered Laminated Glass
 Floor: Sintered Stone



VE10-4 (Optional)

Ceiling: Aluminum frame + Light
 Car Wall: Champagne gold frame, sintered stone + Tempered Laminated Glass
 Floor: Sintered Stone

Ceiling Series



M-D-Y01 (Standard)
Mirror Stainless Steel



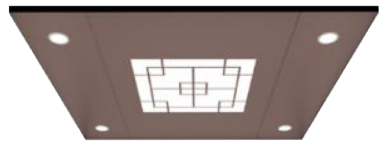
M-D-Y02 (Standard)
Mirror Stainless Steel



M-D-Y03 (Standard)
Mirror Stainless Steel



Mirror Sandblasted Rose Gold
(Optional)



Mirror Sandblasted Rose Gold
(Optional)



Mirror Sandblasted Rose Gold
(Optional)



M-D-V01
Mirror Sandblasted Rose Gold
(Optional)



M-D-L01
Aluminum Frame+Acrylic Plate
(Optional)



M-D-L02
Aluminum Frame+Acrylic Plate+Downlight
(Optional)

Sintered Stone Series



Cloud Painting
Standard



Amani Cenere
Standard



Viennese White
Standard

Door Series



Optional VE-M01



Optional VE-M02



Optional VE-M03

Standard gray/black Aluminum frame + Tempered Laminated Glass, optional champagne gold, rose gold frame



Optional VE-M06



Optional VE-M07



Optional VE-M08

Standard gray/black Aluminum frame + Tempered Laminated Glass, optional champagne gold, rose gold frame

Operation Panel



VE-H13 (Standard)
(160X43x10.5)



VE-C02 (Standard) Shape size : 700x150

- ★ Wall mounted installation
- ★ LED Display
- ★ Emergency call, alarm bell
- ★ Glass panel with stainless steel frame



VE-C01 (Optional)
Note : Standard COP for VE10

Advantages

- ★ Wall-mounted or embedded with box
- ★ Combined with lighting, fan, intercom and children lock, to special floor (by password)
- ★ Independent operation



VE-H08 (Optional)
φ76*6.5



VE-H10 (Optional)
80*56*7



VE-H11 (Optional)
96*62*7



VE-H12 (Optional)
91*91*11



VE-H05(Standard)
(220*87*13)



VE-H01 (Standard)
(118*43*15)



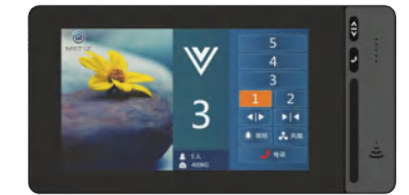
VE-H04 (Standard)
(76*76*13)



VE-C04 (Optional)



VE-C05 (Optional)
327*164*18



VE-C06 (Optional)
164*327*18



MHOP28 (Standard)
(150x100x15)



VE-H02 (Standard)
φ76*13

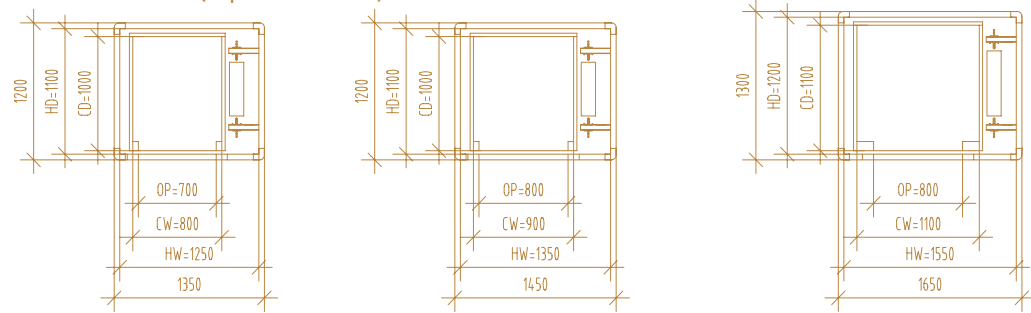


VE-H07 (Optional)
76*13

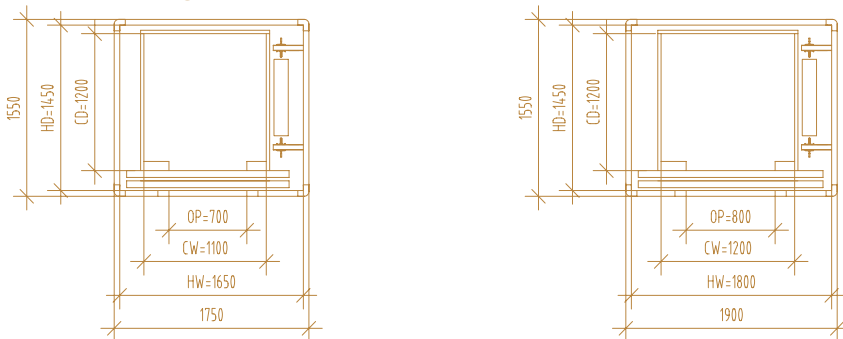
Note : Except MHOP28 , Others' frame can be PVD gold, rose gold, PVD Black

Traction Type Drawing (Aluminum Shaft)

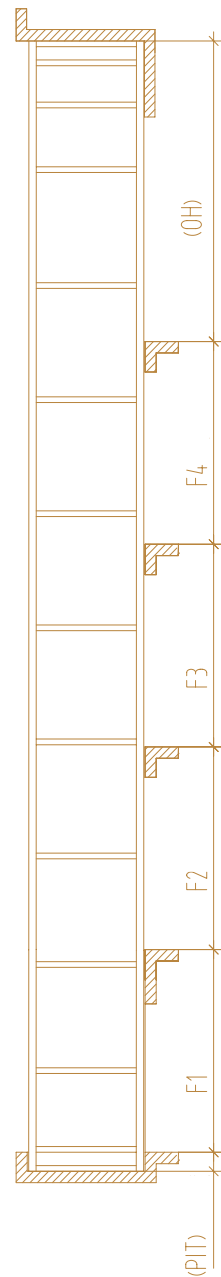
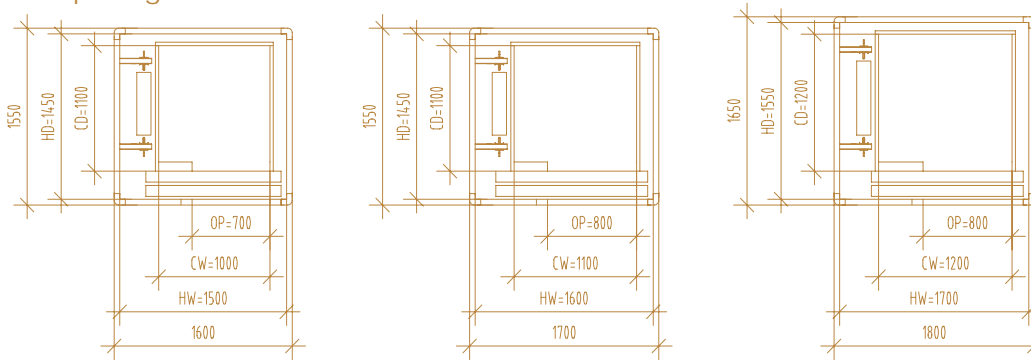
Automatic door(Open to front)



Center opening door

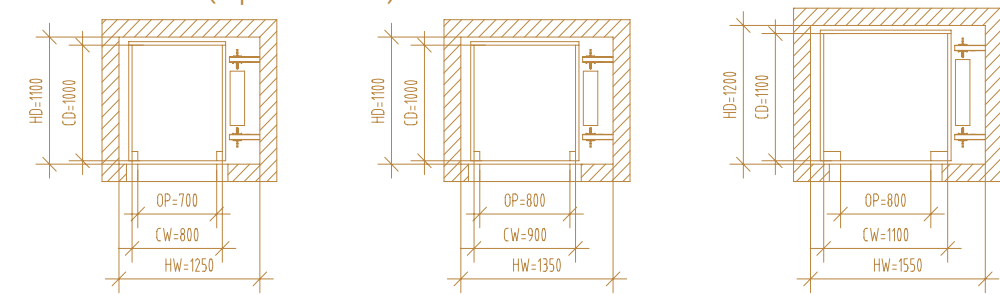


Side opening door

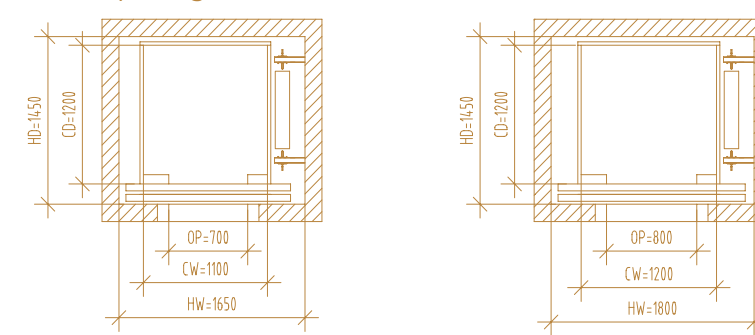


Traction Type Drawing (Concrete Shaft)

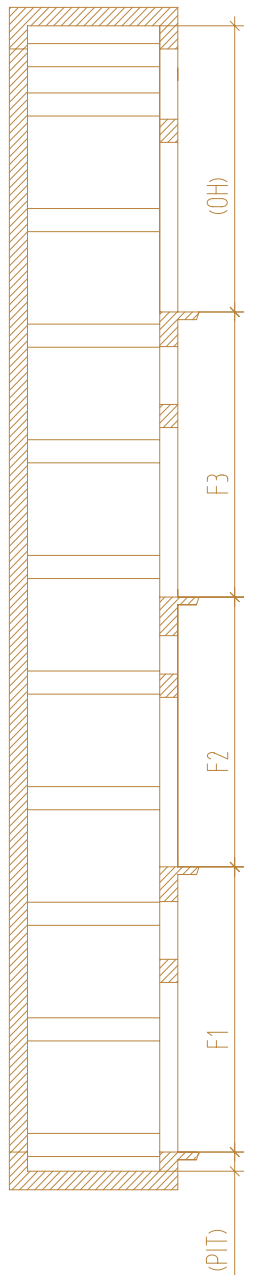
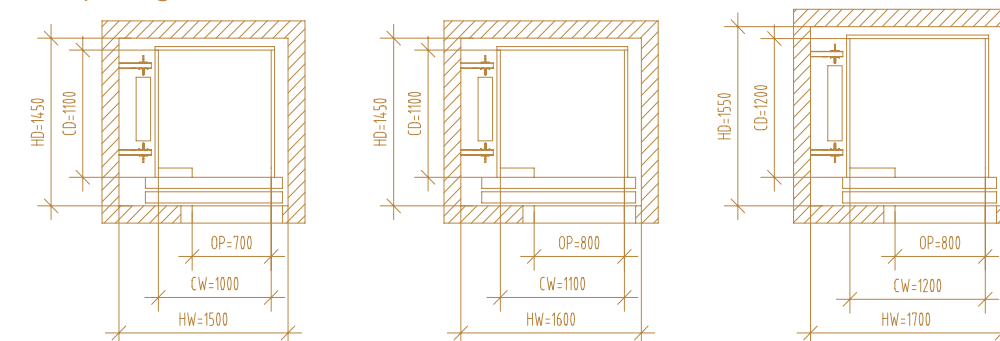
Automatic door(Open to front)



Center opening door



Side opening door



Traction Type Parameters(Aluminum Shaft)

Model	VE200							
Shaft Material	Aluminum Shaft							
Door Type	Swing Door			Center Opening Door		Side Opening Door		
Item NO	1	2	3	4	5	6	7	8
Persons	3	3-4	4-5	4-5	5-6	3-4	4-5	5-6
Car Area (m ²)	0.5-0.7	0.7-0.9	0.9-1.2	0.9-1.2	1.2-1.6	0.7-0.9	0.9-1.2	1.2-1.6
Car Width (CW)	800	900	1100	1100	1200	1000	1100	1200
Car Depth (CD)	1000	1000	1100	1200	1200	1100	1100	1200
Car Height (CH)	2280							
Door Width (OP)	700	800	800	700	800	700	800	800
Door Height (OPH)	2000			2100		2100		
Overhead Height (OH)	3300							
Motor Position	At top side							
Shaft Frame Width	1350	1450	1650	1750	1900	1600	1700	1800
Shaft Frame Depth	1200	1200	1300	1550	1550	1550	1550	1650
Net Shaft Width (HW)	1250	1350	1550	1650	1800	1500	1600	1700
Net Shaft Depth (HD)	1100	1100	1200	1450	1450	1450	1450	1550
PIT Depth	200							

Above size in mm

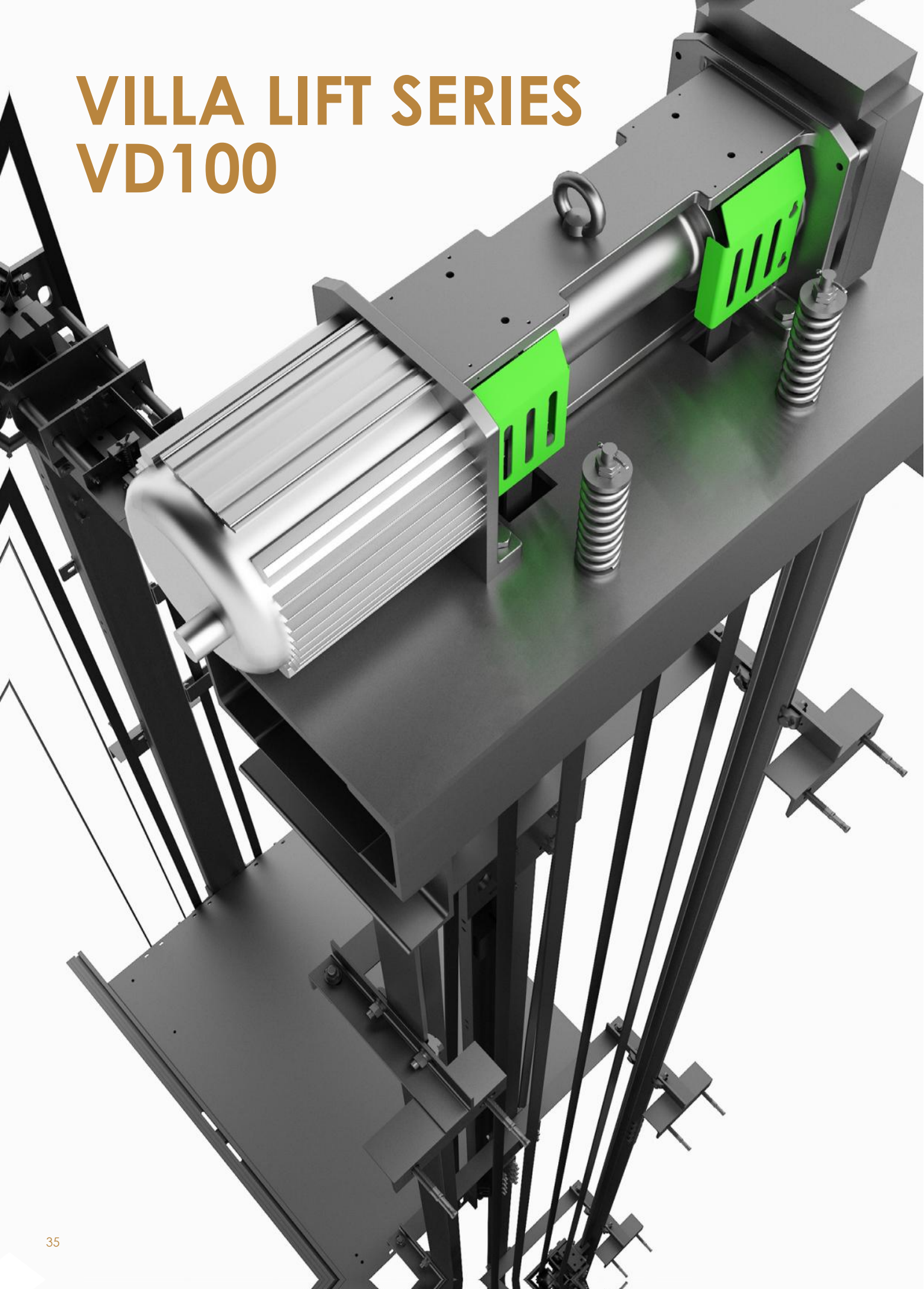
Traction Type Parameters(Concrete Shaft)

Model	VE200							
Shaft Material	Concrete Shaft							
Door Type	Swing Door			Center Opening Door		Side Opening Door		
Item NO.	1	2	3	4	5	6	7	8
Persons	3	3-4	4-5	4-5	5-6	3-4	4-5	5-6
Car Area (m ²)	0.5-0.7	0.7-0.9	0.9-1.2	0.9-1.2	1.2-1.6	0.7-0.9	0.9-1.2	1.2-1.6
Car Width (CW)	800	900	1100	1100	1200	1000	1100	1200
Car Depth (CD)	1000	1000	1100	1200	1200	1100	1100	1200
Car Height (CH)	2280							
Door Width (OP)	700	800	800	700	800	700	800	800
Door Height (OPH)	2000			2100		2100		
Overhead Height (OH)	3300							
Motor Position	At top side							
Net Shaft Width (HW)	1250	1350	1550	1650	1800	1500	1600	1700
Net Shaft Depth (HD)	1100	1100	1200	1450	1450	1450	1450	1550
PIT Depth	200							

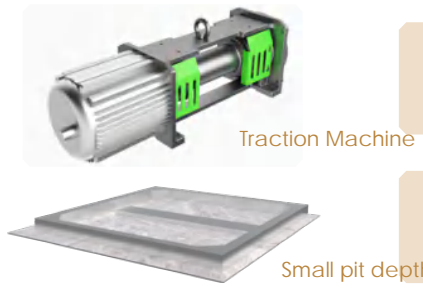
Above size in mm

VILLA LIFT SERIES

VD100



Space
Optimized



Small size: the slender traction machine is adopted.
★ Compare to the traditional wire rope, the volume of the traction machine is reduced by 35%.

Save shaft space: The shaft area is 8% less than the traditional elevators, reducing the overhead height and pit depth, and reducing civil requirements.



Long lifetime
★ Compared to common steel wire rope, composite steel belt has a larger safety margin and long life span.

Safe, reliable
★ The normal service life of the composite steel belt can reach 15 years, 2-3 times that of common steel wire rope.

Mute
★ The composite steel belt uses an elastic outer layer, the main unit adopts disc brakes, which create a quiet home environment.



VE43(Standard)
Ceiling: Mirror Stainless Steel
Rear Wall: 304 Mirror sandblasted ething rose gold stainless steel+ mirror stainless steel
Side Wall: 304 Mirror sandblasted rose gold stainless steel+ mirror stainless steel
Front panel: 304 Mirror sandblasted stainless steel
Floor: PVC



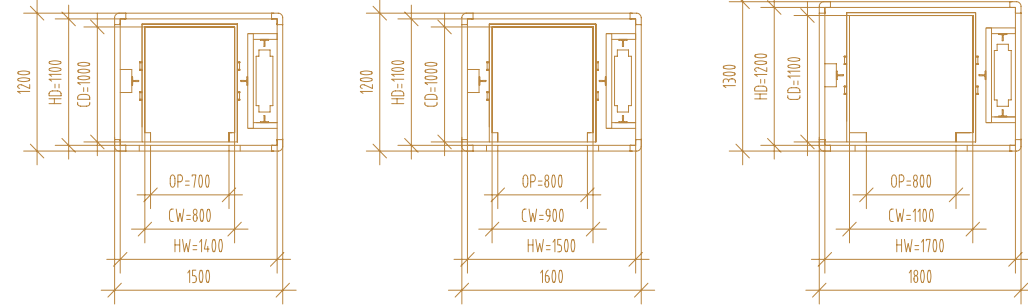
LOP
VE-H14 (Standard)
(170*58*22.8)
Tempered Glass
Wall mounted installation
without box



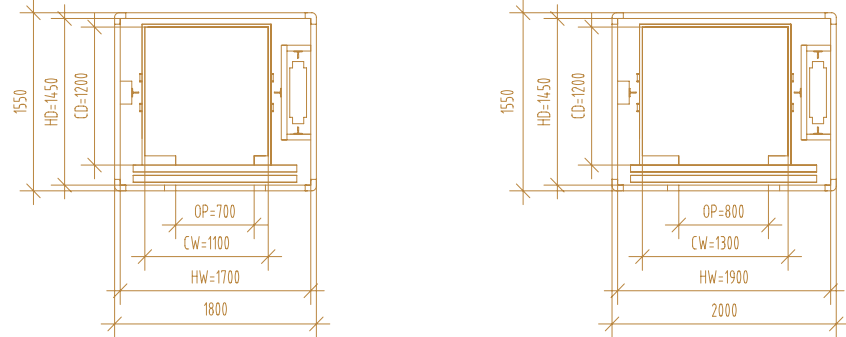
COP
VE-C07 (Standard)
(570*170*30)
Tempered Glass
Max 6 stops
7 Inch TFT
Touch buttons
Embedded type with box

Traction Type Drawing (Aluminum Shaft)

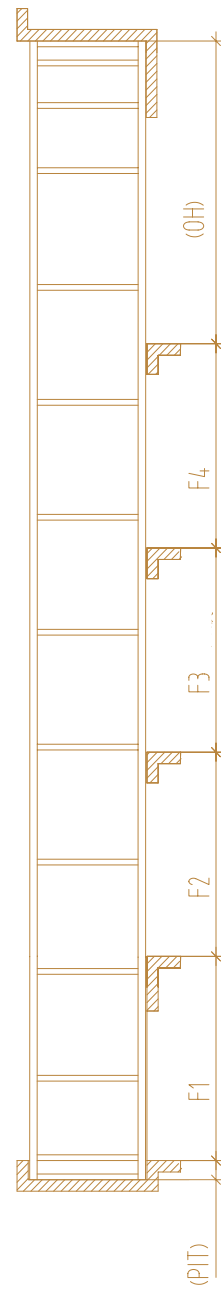
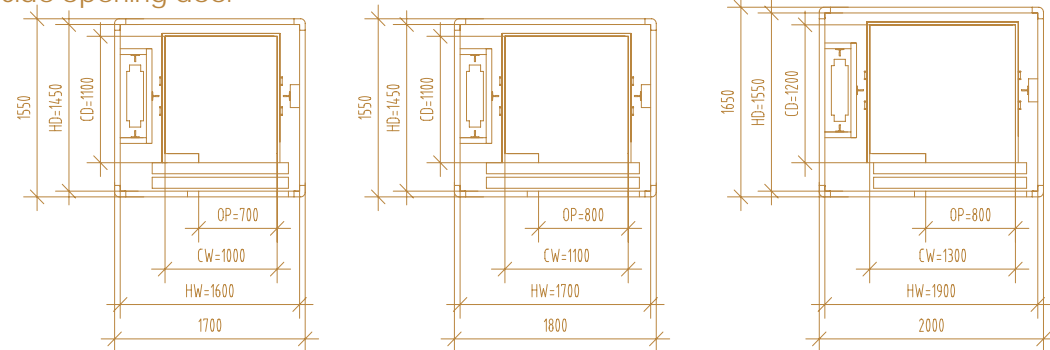
Automatic door(Open to front)



Center opening door

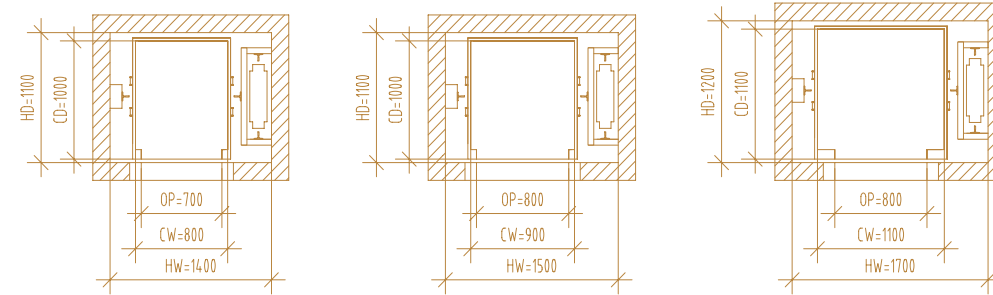


Side opening door

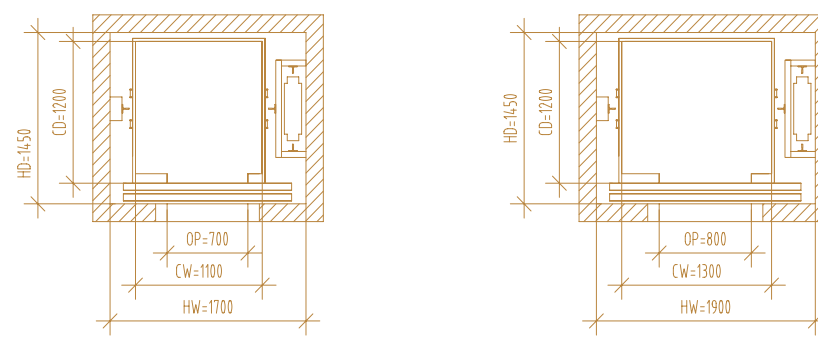


Traction Type Drawing (Concrete Shaft)

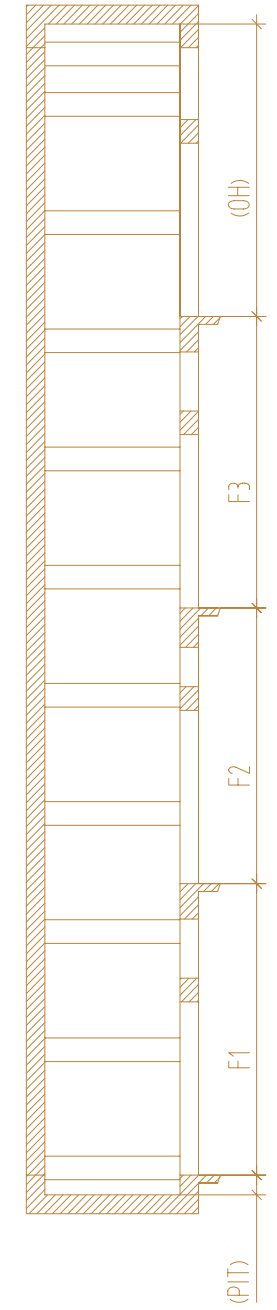
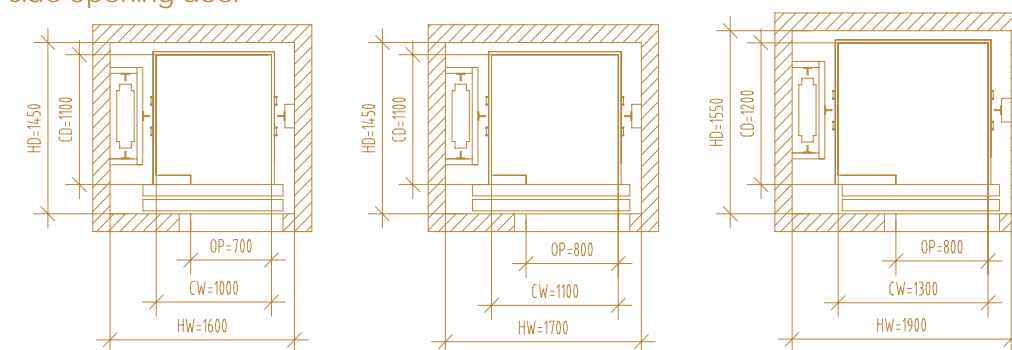
Automatic door(Open to front)



Center opening door



Side opening door



Traction Type Parameters(Aluminum Shaft)

Model	VD100							
Shaft Material	Aluminum Shaft							
Door Type	Swing Door			Center Opening Door		Side Opening Door		
Item NO.	1	2	3	4	5	6	7	8
Persons	3	3-4	4-5	4-5	5-6	3-4	4-5	5-6
Car Area (m ²)	0.5-0.7	0.7-0.9	0.9-1.2	0.9-1.2	1.2-1.6	0.7-0.9	0.9-1.2	1.2-1.6
Car Width (CW)	800	900	1100	1100	1300	1000	1100	1300
Car Depth (CD)	1000	1000	1100	1200	1200	1100	1100	1200
Car Height (CH)	2280							
Door Width (OP)	700	800	800	700	800	700	800	800
Door Height (OPH)	2000			2100		2100		
Overhead Height (OH)	2950							
Motor Position	At top side							
Shaft Frame Width	1500	1600	1800	1800	2000	1700	1800	2000
Shaft Frame Depth	1200	1200	1300	1550	1550	1550	1550	1650
Net Shaft Width (HW)	1400	1500	1700	1700	1900	1600	1700	1900
Net Shaft Depth (HD)	1100	1100	1200	1450	1450	1450	1450	1550
PIT Depth	350							

Above size in mm

Traction Type Parameters(Concrete Shaft)

Model	VD100							
Shaft Material	Concrete Shaft							
Door Type	Swing Door			Center Opening Door		Side Opening Door		
Item NO.	1	2	3	4	5	6	7	8
Persons	3	3-4	4-5	4-5	5-6	3-4	4-5	5-6
Car Area (m ²)	0.5-0.7	0.7-0.9	0.9-1.2	0.9-1.2	1.2-1.6	0.7-0.9	0.9-1.2	1.2-1.6
Car Width (CW)	800	900	1100	1100	1300	1000	1100	1300
Car Depth (CD)	1000	1000	1100	1200	1200	1100	1100	1200
Car Height (CH)	2280							
Door Width (OP)	700	800	800	700	800	700	800	800
Door Height (OPH)	2000			2100		2100		
Overhead Height (OH)	2950							
Motor Position	At top side							
Net Shaft Width (HW)	1400	1500	1700	1700	1900	1600	1700	1900
Net Shaft Depth (HD)	1100	1100	1200	1450	1450	1450	1450	1550
PIT Depth	350							

Above size in mm

VILLA LIFT SERIES VT800



Advantage

With the brand-new elevator design concept, the requirements for civil engineering of home elevators are minimized fit in the small reserved space.

- ★ Small space
- ★ Low noise
- ★ Dual-rail design, no bearing beam
- ★ Install at luxury villa or penthouse apartment



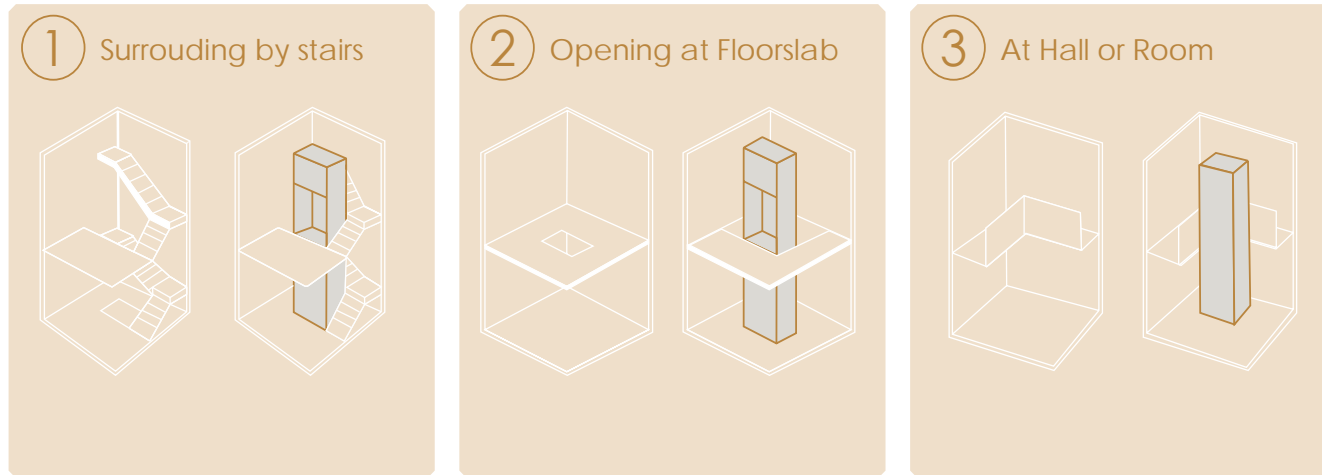
Standard Configuration

- ★ 3 way intercom
- ★ Auto-return leveling floor when blackout;
- ★ Child lock protection
- ★ hall door anti-pinch protection
- ★ Car bottom anti-pinch protection
- ★

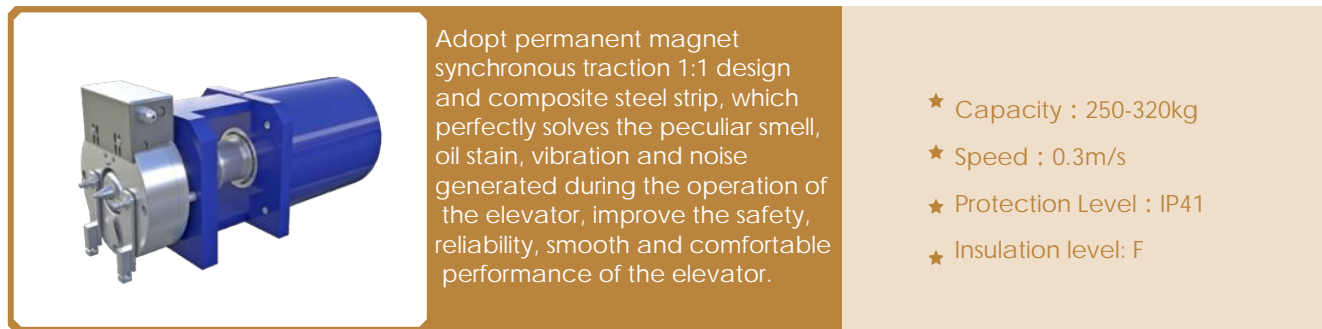
Basic Parameters

Capacity	Platform Size		Shaft Frame Exterior Size		Civil Size Reserved		Pit Depth	OH
	CA/mm	CD/mm	DW/mm	DD/mm	KW/mm	KD/mm	PT/mm	
180kg/2 Pers	860	650	920	1030	940	1050	≥70	≥2700
250kg/3 Pers	950	800	1010	1180	1030	1200	≥70	≥2400
320kg/4 Pers	1050	850	1110	1230	1130	1250	≥70	≥2250

VT800 Applicable Sites



Traction Machine



Safety Components



Backlight Plate



Operation Panel



VE-C05
(Optional)
327*164*18



VE-H13 (Standard)
(160X43x10.5)



VE-H01 (Standard)
118*43*15

Starry Ceiling

There are different colors of starring ceilings for the clients to choose to make sure each client can have their favorite sky.

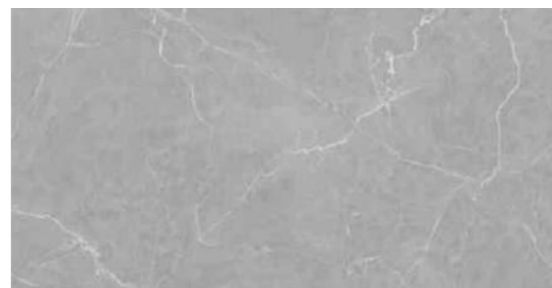


Install at top of the shaft

Floor Series



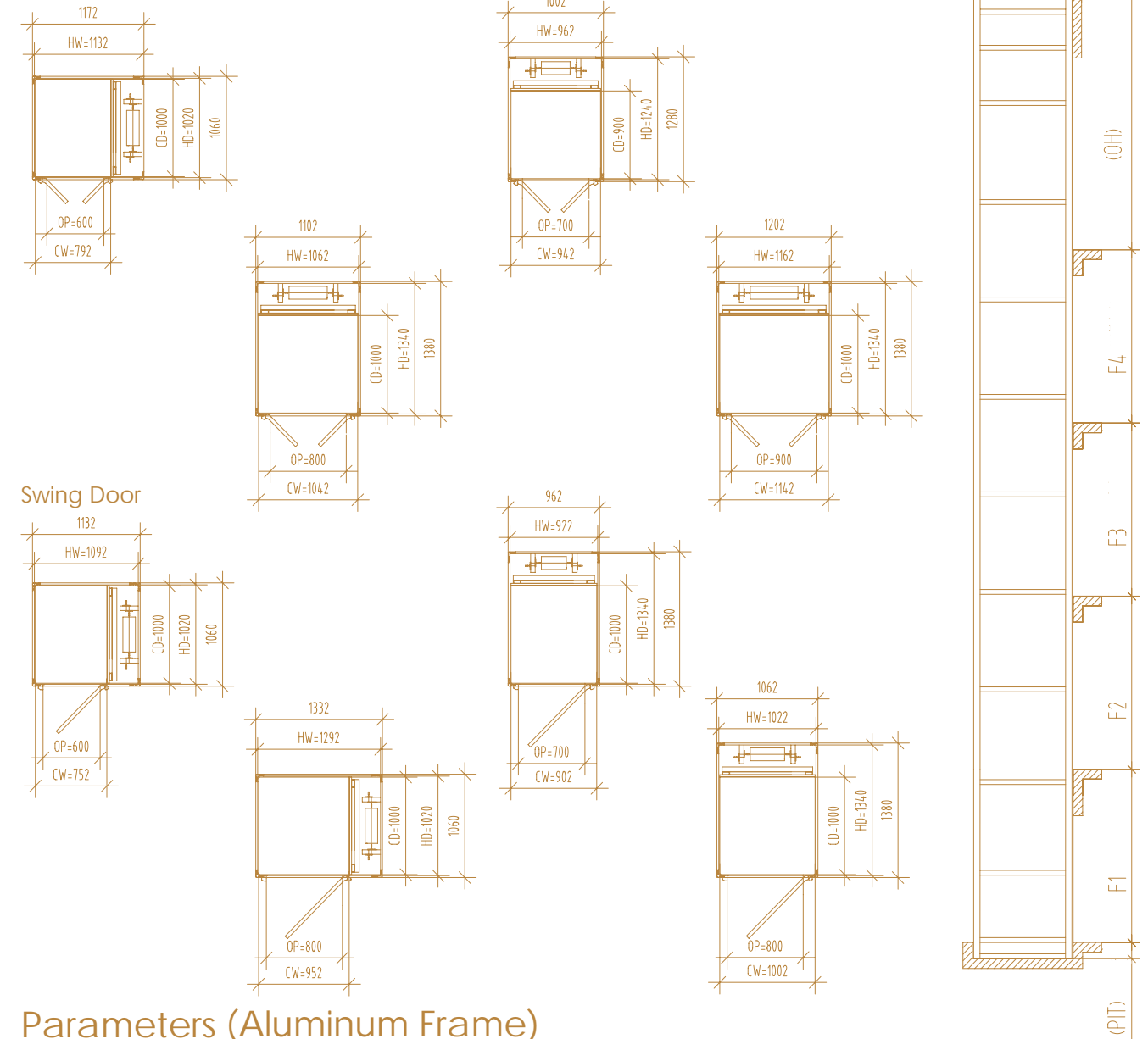
White
Sintered Stone



Gray
Sintered Stone

Construction Drawing(Aluminum Frame)

Automatic Door (Open to front)



Parameters (Aluminum Frame)

Model	VT800							
	Aluminum Shaft							
Shaft Material	Aluminum Shaft							
Door Type	Automatic Door(Open to front)				Swing Door			
Item NO.	1	2	3	4	5	6	7	8
Persons	3	3-4	4-5	4-5	3	3-4	4-5	4-5
Car Area (m ²)	0.5-0.7	0.7-0.9	0.9-1.2	0.9-1.2	0.5-0.7	0.7-0.9	0.9-1.2	0.9-1.2
Platform Width (CW)	792	942	1042	1142	752	902	952	1002
Platform Depth (CD)	1000	900	1000	1000	1000	1000	1000	1000
Door Width (OP)	600	700	800	900	600	700	800	800
Door Height (OPH)	2000							
Overhead Height (OH)	2250	2550	2250	2250	2250	2700	2250	2250
Motor Position	At top side		At top back		At top side		At top back	
Aluminum Shaft Width	1172	1002	1102	1202	1132	962	1332	1062
Aluminum Shaft Depth	1060	1280	1380	1380	1060	1380	1060	1380
Net Shaft Width (HW)	1132	962	1062	1162	1092	922	1292	1022
Net Shaft Depth (HD)	1020	1240	1340	1340	1020	1340	1020	1340
PIT Depth	70							

Above size in mm

VILLA LIFT SERIES VQ500



Space Optimized

Minimum shaft size 1050*850



**Steel core
steel rope**

Durable and long lifespan

**Absolute value grating
scale inspection**

Real-time and precise position and speed detection
The shaft is more concise and beautiful
Safer and more reliable



VE45 (Standard)

Ceiling: LED Lighting
Car wall: PVD Gold strip,
wooden laminate
Front panel: Mirror sandblasted
stainless steel
Floor: PVC
COP:VE-C07



**LOP
VE-H15 (Standard)
(230*91*13.2)**

Tempered Glass
Touch button
Wall mounted
installation

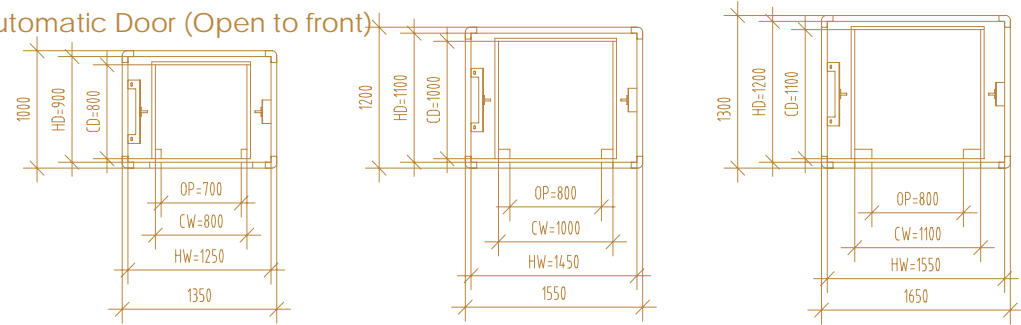


**COP
VE-C07 (Standard)
(570*170*30)**

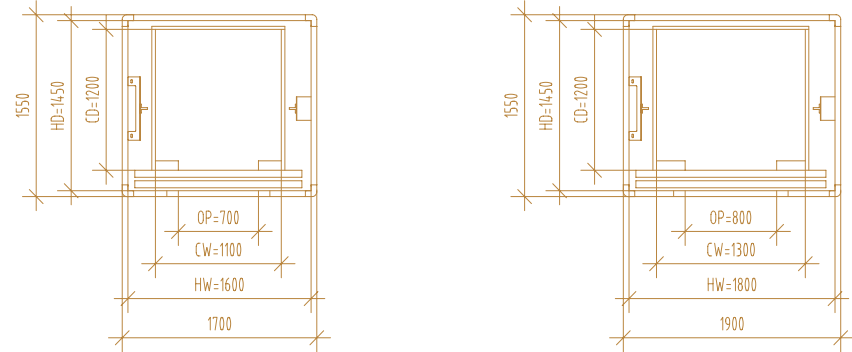
Tempered Glass
Max 6 stops
7 Inch TFT
Touch buttons
Embedded type with box

Drum Drive Drawing (Aluminum Shaft)

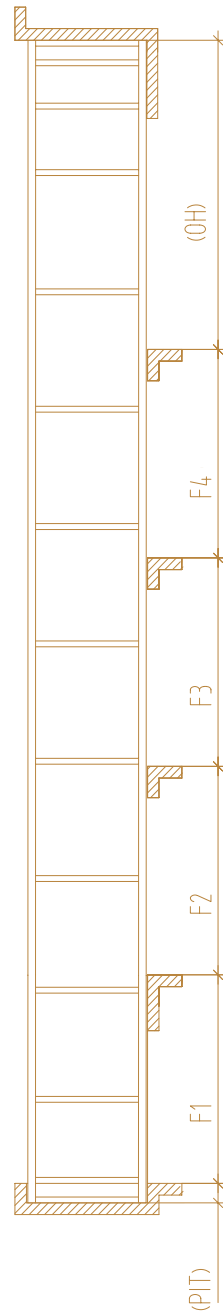
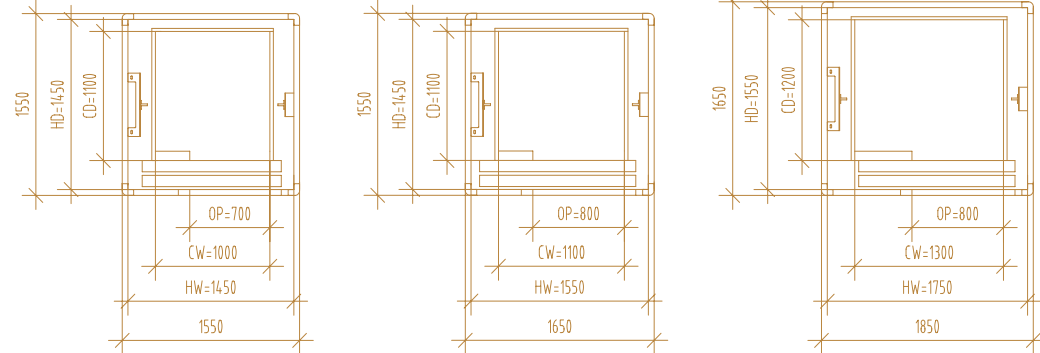
Automatic Door (Open to front)



Center Opening Door

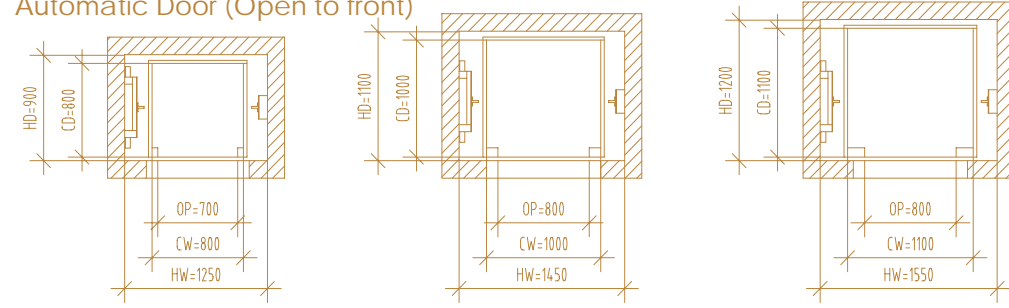


Side Opening Door

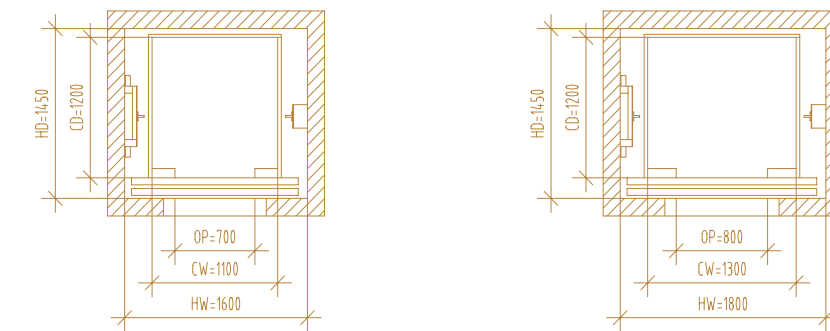


Drum Drive Drawing (Concrete Shaft)

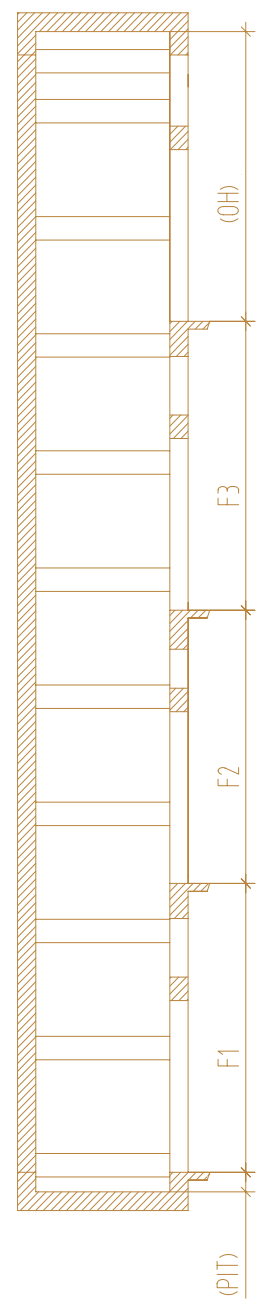
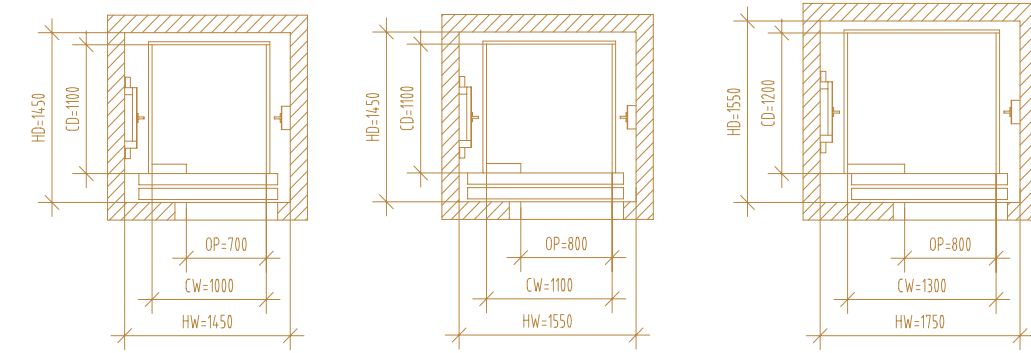
Automatic Door (Open to front)



Center Opening Door



Side Opening Door



Drum Drive Parameter (Aluminum Shaft)

Model	VQ500							
Shaft Material	Aluminum Shaft							
Door Type	Swing Door			Center Opening Door		Side Opening Door		
Item NO.	1	2	3	4	5	6	7	8
Persons	3	3-4	4-5	4-5	5-6	3-4	4-5	5-6
Car Area (m ²)	0.5-0.7	0.7-0.9	0.9-1.2	0.9-1.2	1.2-1.6	0.7-0.9	0.9-1.2	1.2-1.6
Car Width (CW)	800	1000	1100	1100	1300	1000	1100	1300
Car Depth (CD)	800	1000	1100	1200	1200	1100	1100	1200
Car Height (CH)	2280							
Door Width (OP)	700	800	800	700	800	700	800	800
Door Height (OPH)	2000			2100		2100		
Overhead Height (OH)	3300							
Motor Position	At bottom side							
Shaft Frame Width	1350	1550	1650	1700	1900	1550	1650	1850
Shaft Frame Depth	1000	1200	1300	1550	1550	1550	1550	1650
Net Shaft Width (HW)	1250	1450	1550	1600	1800	1450	1550	1750
Net Shaft Depth (HD)	900	1100	1200	1450	1450	1450	1450	1550
PIT Depth	200							

Above size in mm

Drum Drive Parameter (Concrete Shaft)

Model	VQ500							
Shaft Material	Concrete Shaft							
Door Type	Swing Door			Center Opening Door		Side Opening Door		
Item NO.	1	2	3	4	5	6	7	8
Persons	3	3-4	4-5	4-5	5-6	3-4	4-5	5-6
Car Area (m ²)	0.5-0.7	0.7-0.9	0.9-1.2	0.9-1.2	1.2-1.6	0.7-0.9	0.9-1.2	1.2-1.6
Car Width (CW)	800	1000	1100	1100	1300	1000	1100	1300
Car Depth (CD)	800	1000	1100	1200	1200	1100	1100	1200
Car Height (CH)	2280							
Door Width (OP)	700	800	800	700	800	700	800	800
Door Height (OPH)	2000			2100		2100		
Overhead Height (OH)	3300							
Motor Position	At bottom side							
Net Shaft Width (HW)	1250	1450	1550	1600	1800	1450	1550	1750
Net Shaft Depth (HD)	900	1100	1200	1450	1450	1450	1450	1550
PIT Depth	200							

Above size in mm

ADVANCED AFTER-SALES SERVICE CENTER

Considerate Advisory Service

MATIZ villa elevator always adheres to the high-end customized 1-to-1 consulting service concept. After you choose the villa elevator, we will customize the overall villa for you according to your home environment, civil structure and specific budget.



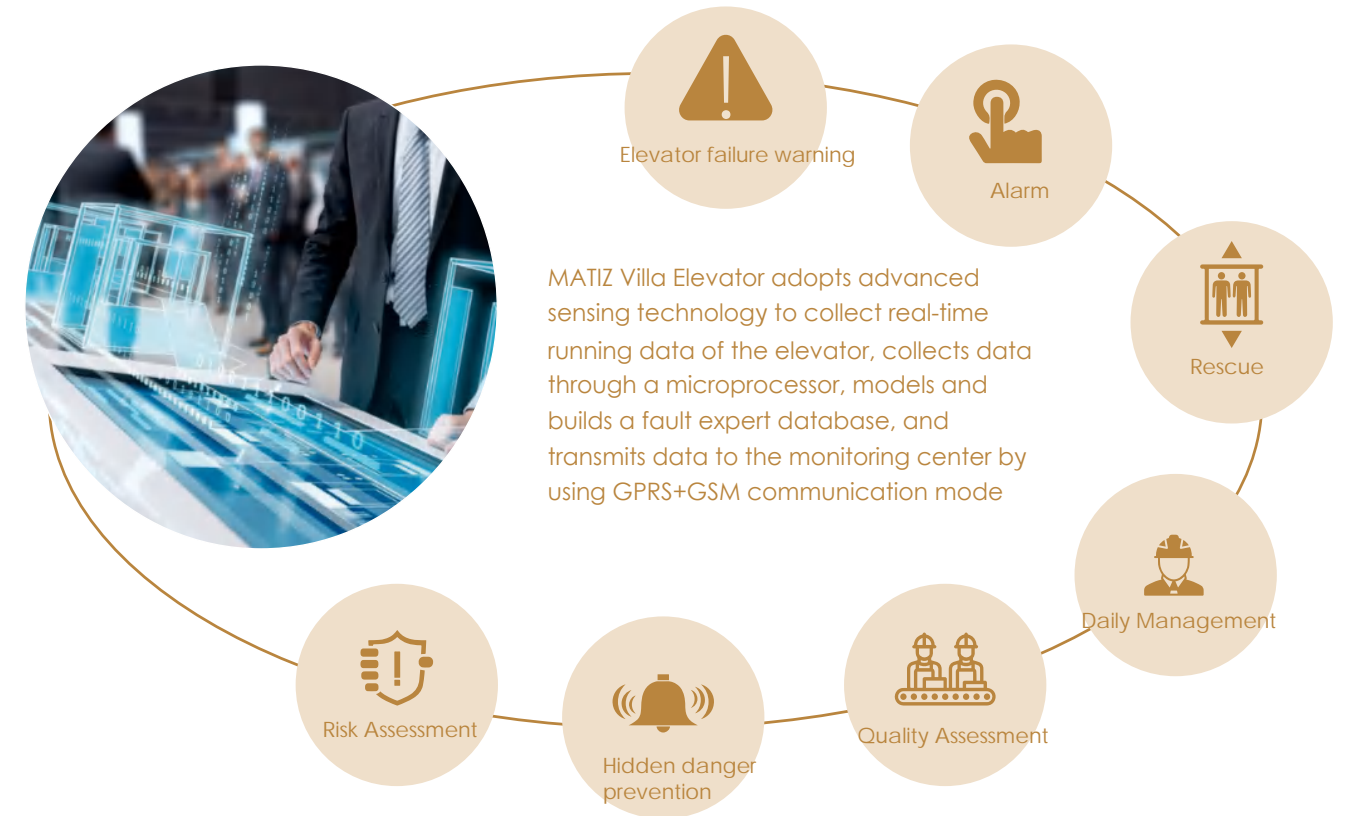
Quick Response Service Team

Excellent Installation and Maintenance Team

MATIZ villa elevator maintenance team has undergone strict training with professional skills, rich experience, which can ensure the efficient installation and maintenance of our elevator.



Intelligent IOT Safety Management



Integrated Elevator Management Platform